

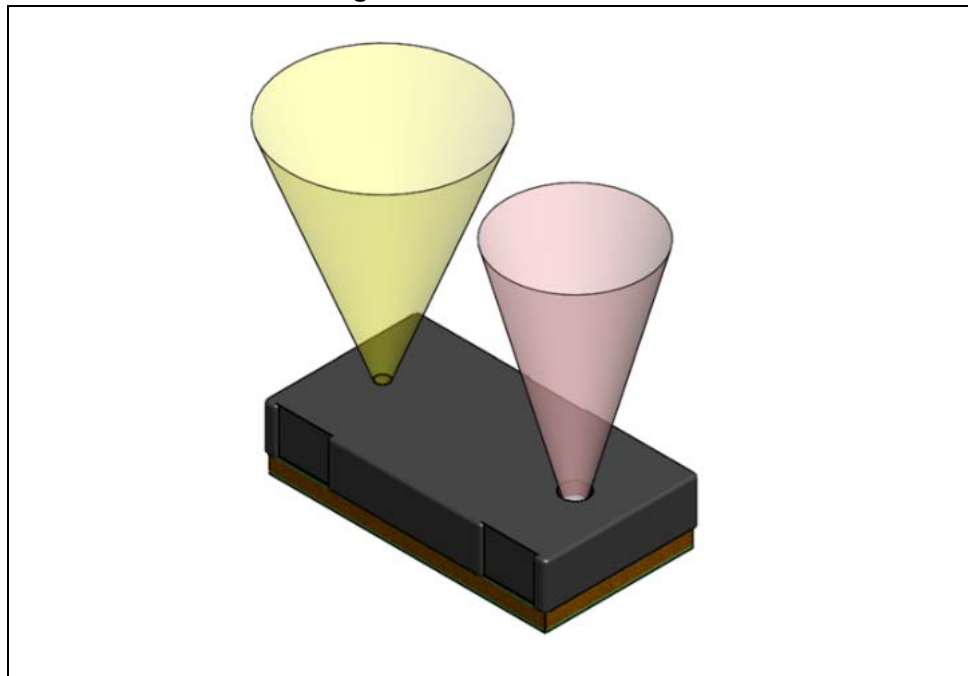
VL53L0X ranging module cover window guidelines

Imaging Application

Introduction

The aim of this document is to provide guidelines for Industrial Design and how to assess cover window quality. It details ST's recommendations on cover window selection and design requirements for optimizing the system.

Figure 1. VL53L0X device



Contents

- 1 Overview 3**
- 2 Ideal industrial design (ID) and cover window 4**
 - 2.1 ID design recommendations 5
- 3 VL53L0X optical paths 7**
 - 3.1 Cross talk 7
 - 3.1.1 Cross talk measurement 8
 - 3.1.2 Cross talk effect on ranging 8
 - 3.1.3 Cross talk compensation 8
- 4 Cover window optical considerations 9**
 - 4.1 Optical transmission 9
 - 4.2 Haze 9
 - 4.3 Cover window material 9
 - 4.4 Cover window dirt 9
 - 4.5 Cover window coating 10
- 5 Cover window mechanical considerations 11**
 - 5.1 Air gap 11
 - 5.2 Cover window artwork 12
 - 5.2.1 Oval exclusion area 13
 - 5.2.2 2 hole exclusion area 14
- 6 Hornix cover window 15**
- 7 Acronyms and abbreviations 18**
- 8 Revision history 19**

1 Overview

Typically the VL53L0X ranging module will be used in conjunction with a window covering. The cover window serves two main purposes:

1. Provides physical protection of the module, including dust ingress prevention.
2. To provide optical filtering for the module.

The cover window will normally be opaque with either two circular apertures or one oval aperture to allow IR light to be emitted and received.

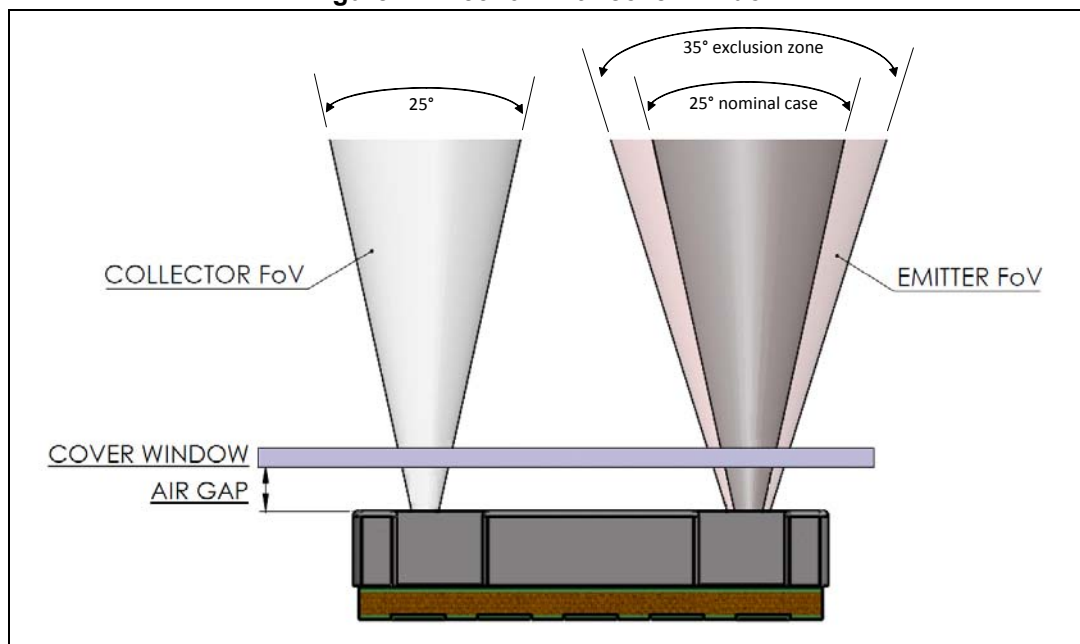
The cover window has to fulfill some optical requirements to guarantee the ranging capabilities. The quality is measured by the transmission and haze factors.

There are also mechanical guidelines to be followed: The air gap between the VL53L0X and the cover window and the exclusion area in front of the VL53L0X.

The contributions of the optical (transmission/haze) and mechanical parameters to the device performance is given by the cross talk measurement.

The goal is to ensure that cover window impact on VL53L0X performance is minimized.

Figure 2. VL53L0X with cover window



2 Ideal industrial design (ID) and cover window

Embedded particles/holes and/or rough surfaces are major contributors to light scattering in cover windows.

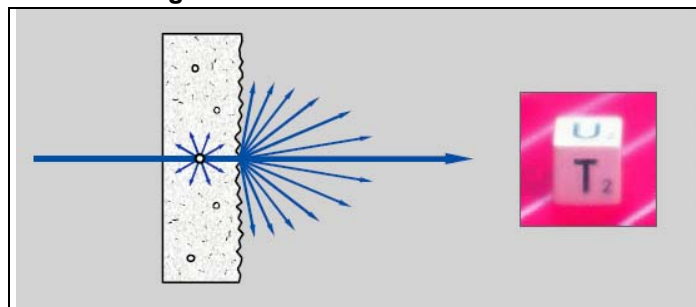
An Ideal cover window has:

- No structural defects in the plastic or glass material
- No surface defects that can induce light scatter or smudge sensitivity with fingerprint
- Transmission >90% in near-IR (940nm +/-10nm) and low haze
- Outer coatings that do not degrade immunity to fingerprints (Anti-fingerprint or Anti-Reflective coatings)
- Single material. Use of dual material may alter performance.

An ideal ID design has:

- Small air gap (<0.5mm)
- Thin window
- Low window tilt <2degrees
- Tight tolerances.

Figure 3. Cover window with haze



Cover window vendors are responsible for controlling cover window quality to ensure it is free of surface and structural defects.

The cover window vendor should measure the transmission of the final window and control / monitor the transmission quality in production.

Cover window vendors need to be able to measure the level of scatter (clarity or haze), which is different from transmission, as part of the transmitted light may be lost in scattering and can impact the overall system.

Cover window vendors are responsible for tolerance in material thickness.

2.1 ID design recommendations

It is the integrator’s responsibility to comply with the Industrial Design (ID) and cover window recommendations from ST to ensure optimized performance.

A small air gap (shown on *Figure 4* as ‘E’) and thin cover window (shown on *Figure 4* as ‘D’) with high transmittance is best.

If it is not possible to reduce the air gap & cover window thickness then a gasket is essential, as shown in *Figure 5*. The gasket will help reduce cross talk.

Figure 4. ID design recommendation small air gap, thin cover window

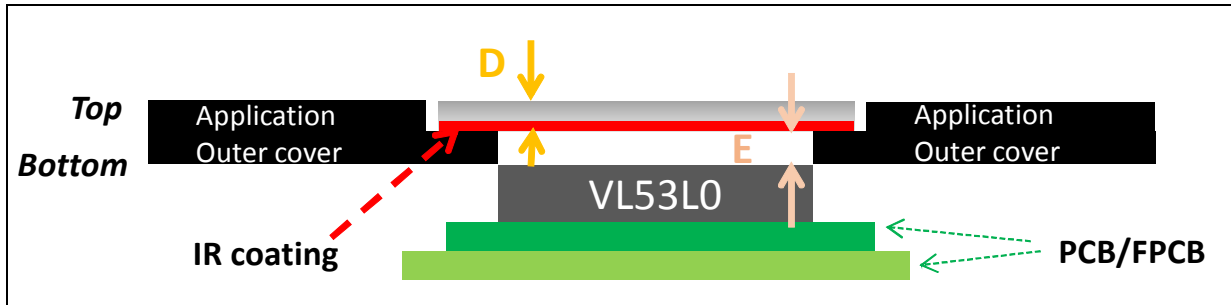
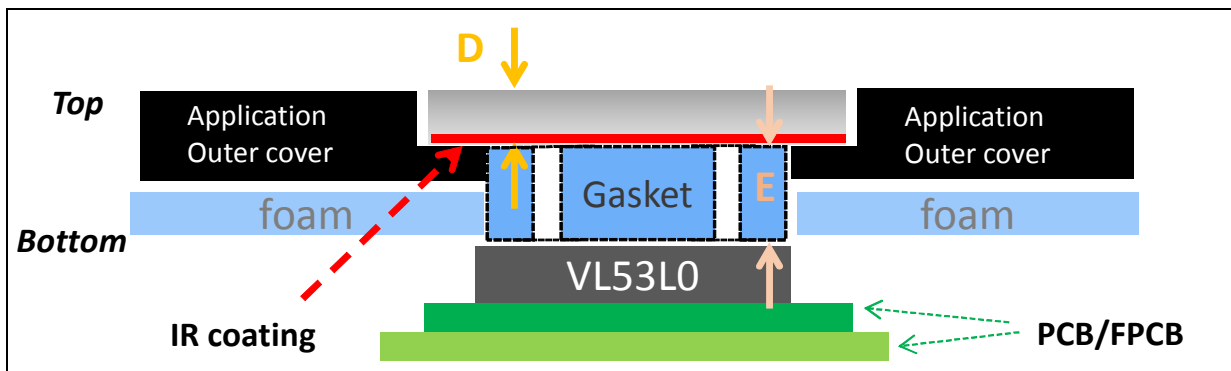


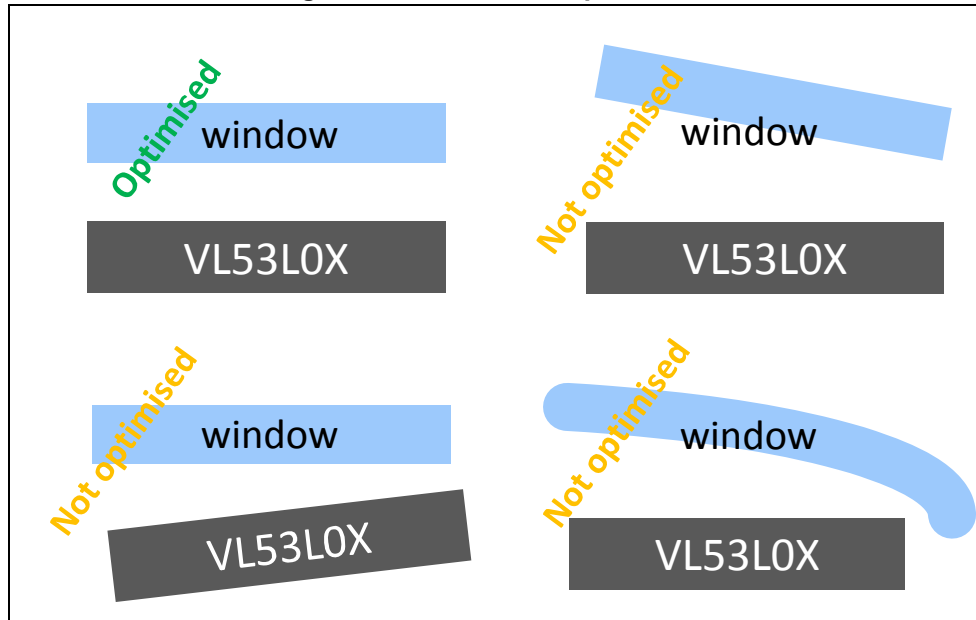
Figure 5. ID design recommendation large air gap, thick cover window



The integrator should ensure that their design is set up to avoid optical interference from other IR sensors emitting in the same wavelength, or that the other sensors are not activated at the same time as the VL53L0X.

For optimal performance, the cover window should be parallel to VL53L0X to help reduce cross talk and increase transmission. See [Figure 6](#).

Figure 6. Cover window placement



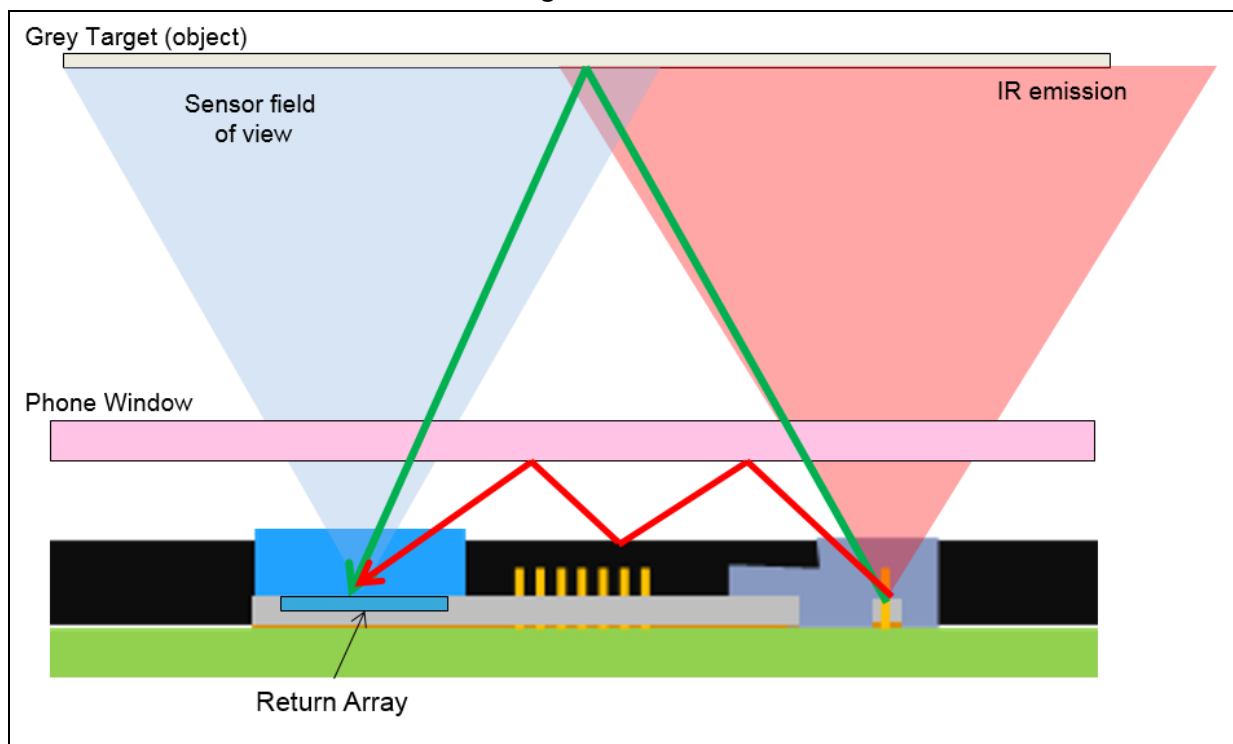
3 VL53L0X optical paths

Figure 7 below shows the return and noise optical paths for the light emitted from the VL53L0X, we want to minimize as much as possible the noise path.

ST's Time of Flight sensors measure two key parameters to monitor window quality:

- Return signal from the object (transmission).
- Cross talk in kcps (k counts per second) to measure cover window light scattering (haze) and light reflections below the window in the ID artwork. This also encompasses other parameters from the phone design (air gap, light reflections in the phone housing etc).

Figure 7. VL53L0X cross talk



Signal:

- **Return** - from emitter reflected off target to return array

Noise:

- **Cross talk on return array** - from emitter reflected from cover window to return array

3.1 Cross talk

The cross talk is defined as the signal from the emitter reflecting off the cover window and being sensed by the receiver (return array). The VL53L0X can tolerate and compensate for a certain amount of cross talk, but this needs to be minimized as much as possible.

3.1.1 Cross talk measurement

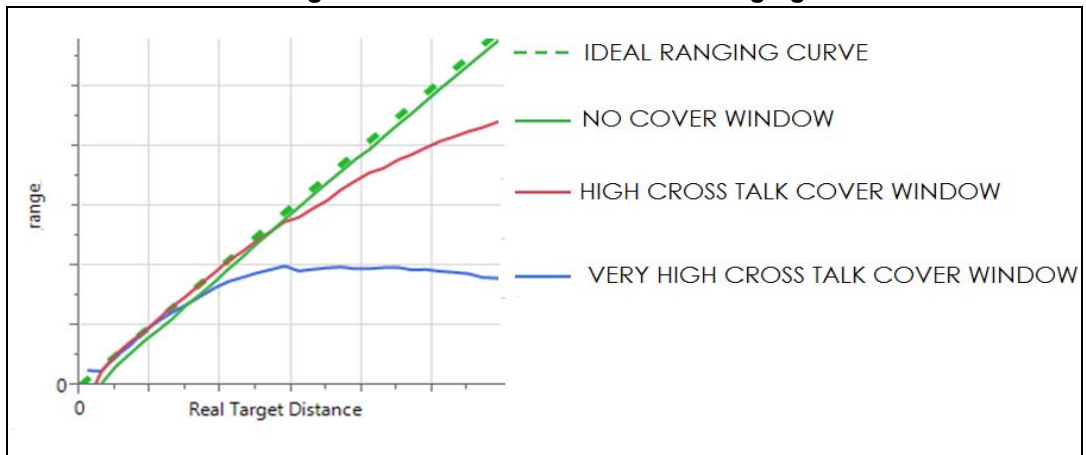
Cross talk is measured using the entire system, VL53L0X and cover window.

Cross talk is basically the additional amount of incoming signal when a cover window is added to the system. Once the cross talk value is measured, the cross talk compensation can be applied.

3.1.2 Cross talk effect on ranging

Figure 8 shows an example of ranging data with no cover window and with very poor quality cover window. The poorer the cover window cross talk performance is, the higher the error is compared to the ideal ranging data (green dotted line).

Figure 8. Cover window effect on ranging



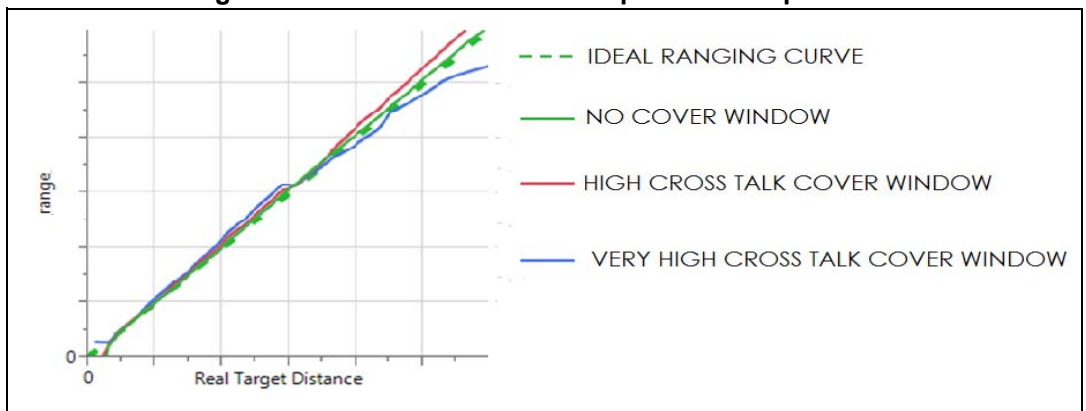
3.1.3 Cross talk compensation

Cross talk compensation is a feature embedded in the VL53L0X firmware. It allows compensation of the cross talk effect, based on characterization results.

The procedure for cross talk characterization is detailed in the VL53L0X API User Manual.

Cross talk can be compensated to a limit. The lower the cross talk, the easier the compensation is. Figure 9 shows the cross talk compensation capabilities of VL53L0X.

Figure 9. VL53L0X Cross talk compensation capabilities



4 Cover window optical considerations

Two optical parameters have to be taken into consideration during the cover window selection: optical transmission and haze.

4.1 Optical transmission

The cover window has to allow through the IR light at 940nm emitted and received by the sensor.

Any loss of signal will directly affect VL53L0X performance, so we recommend to have a transmission factor as high as possible.

Between **930 and 950 nm**, the cover window must have **>90% transmission**

This parameter has to be provided by the cover window vendor.

4.2 Haze

Haze is a measurement of roughness, particle inclusion.

We recommend to select a window with **low haze**

This parameter has to be provided by the cover window vendor.

4.3 Cover window material

Cover window material can be made of glass or plastic.

It is important to note that anti-fingerprint coating increases crosstalk. We recommend to remove anti-fingerprint coating from cover window, at least in the exclusion areas defined in [Section 5.2.1](#) and [Section 5.2.2](#).

4.4 Cover window dirt

Smudge is the term used to describe dirt on the cover window, this can be fingerprints, grease, dust, water or anything that can be on top of cover window and can interfere with the light from the sensor.

Any protective film/coating with high surface tensile strength on top of the cover window may be considered sensitive for Time-Of-Flight technology. These materials can effect optical scattering with smudge.

Not all windows will be sensitive to smudge but the impact needs to be assessed.

The following may result in high cross talk with smudge on window:

- ID design - if system has high cross talk then it is likely to have more cross talk with smudge.
- Use of some coating on the cover window (like some AFC or some Anti-Reflective coating).
- Type of window surface finishing (roughness and haze parameters).
- The window compound itself.

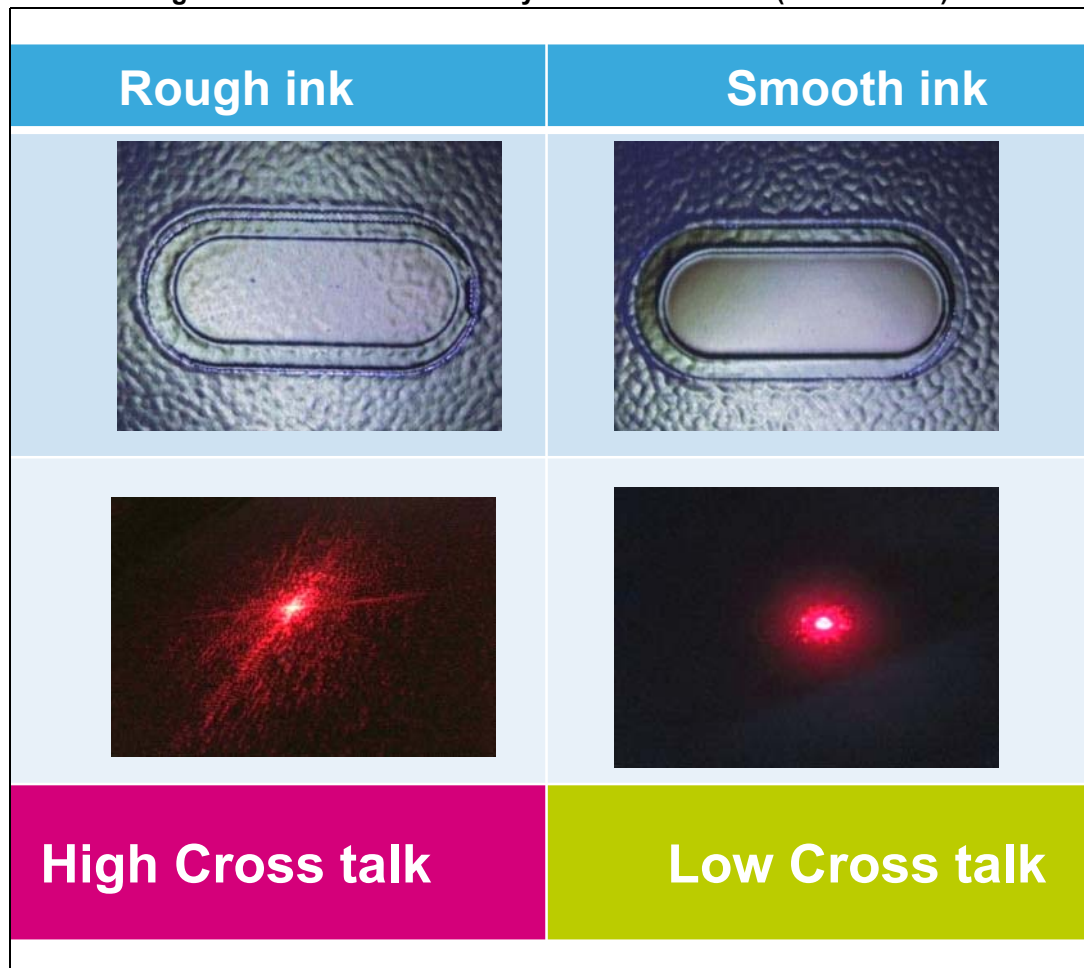
Or it could be the combination of the list above.

ST do not recommend the use of Anti-Reflective Coating or Anti-finger-print coating on the outer side of the cover window. It is the duty of the integrator to assess the impact of ARC or AFC on the cover window.

4.5 Cover window coating

It is important to keep the cover window surface finish smooth.

Figure 10. Glass / PMMA / Polycarbonate window (bottom view)



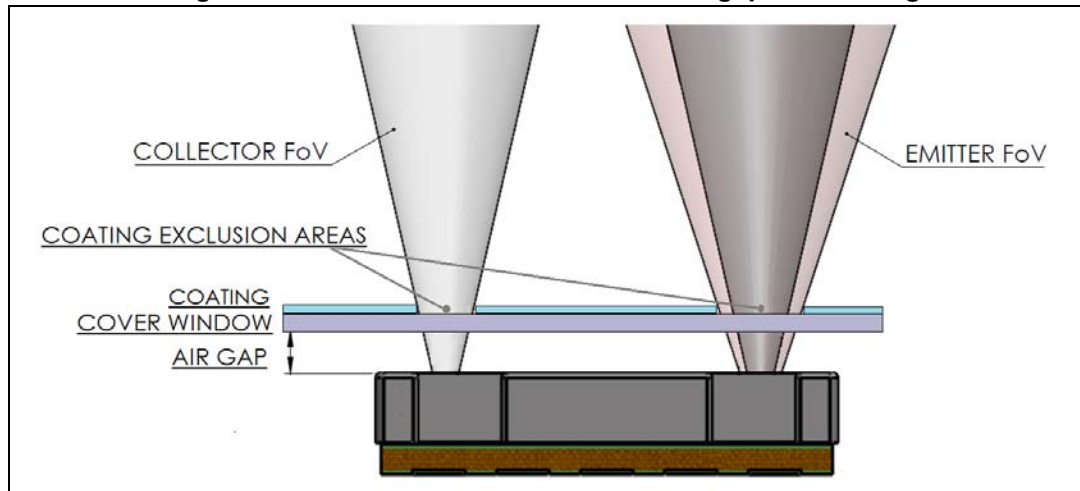
5 Cover window mechanical considerations

5.1 Air gap

As shown in [Figure 11](#), the distance between the VL53L0X and the cover window is referred to as the air gap.

The 2 cones on the emitter FOV are the nominal cone (25 degrees) and recommended exclusion zone (35 degrees).

Figure 11. VL53L0X with cover window: air gap and coating



As the air gap increases, the amount of cross talk also increases.

For optimum ranging performance, the cross talk should be kept low. [Figure 12](#) shows an example of cross talk variation with air gap. This figure shows that the air gap should be as small as possible in order to minimize cross talk.

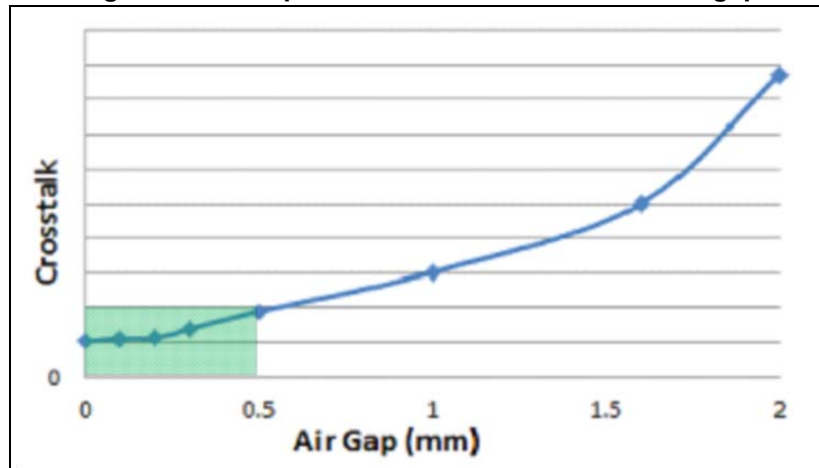
ST recommend that as well as using a high transmissible and defect free window, the basic ID design guidelines below are applied for the following usage:

- For fast and high accuracy long ranging (>1000mm): air gap + window thickness = 1mm maximum.
- Sub 1000mm ranging: Total air gap + window thickness = 2mm maximum. Assumes window thickness is <1.5mm and air gap <0.5mm (gasket to be fitted into air gap).
- Applications requiring short <600mm ranging (no specific accuracy requirement) with an air gap + window thickness > 2.0mm, a dedicated ID design study is required to optimize ranging and system performance.

For all use cases, assembly tolerances have to be accounted for in air gap + window thickness bill.

Note: The variation in the amount of cross talk compensation required can be important if the air gap is likely to change throughout the lifetime of the system.

Figure 12. Example of cross talk variation with air gap



5.2 Cover window artwork

The customer may want for aesthetics purposes to add a coating with different optical properties compared to the cover window. The coating exclusion area has to be free from this coating.

Coating exclusion areas are defined as the area where nothing except the cover window should be present.

Production control of application assembly tolerances (X,Y,Z & tilt) are very important. Documentation is available on request from ST to calculate the minimum aperture size for a specific air gap between the VL53L0X and cover window.

The window size examples in [Section 5.2.1](#) and [Section 5.2.2](#) are shown with $\pm 150\mu\text{m}$ X/Y, $\pm 50\mu\text{m}$ Z-height and ± 2 degree tilt assembly tolerances. For other assembly tolerances refer to ST's hole size calculation document.

The expected performance level of an optimized cover window with 0.5mm air gap is:

- 0.1~0.3kcps cross talk with PMMA embedded filtering.
- 0.3~0.7kcps cross talk with Gorilla Glass.
- <0.7kcps cross talk with PC material.

Figure 13. Oval cover window artwork



Collector and emitter hole: IR transmissive ink (regardless of color).

Everywhere else: Colored opaque paint is acceptable.

5.2.1 Oval exclusion area

Figure 14. Oval exclusion area

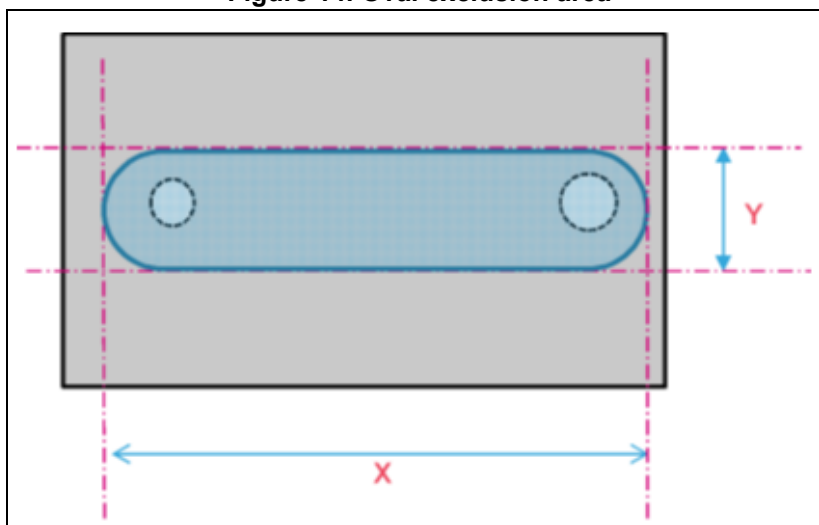


Table 1 gives the exclusion area at the top of the cover window (i.e. as a function of air gap + window thickness).

Table 1. Exclusion areas versus air gap + window thickness

Air Gap + window thickness (mm)	X (mm) ⁽¹⁾	Y (mm) ⁽²⁾
0.1	3.81	0.81
0.2	3.88	0.88
0.3	3.95	0.95
0.4	4.02	1.02
0.5	4.09	1.09
0.6	4.16	1.16
0.7	4.23	1.23
0.8	4.30	1.30
0.9	4.37	1.37
1.0	4.44	1.44
1.5	4.68	1.68
2.0	4.99	1.99

1. Includes $\pm 150\mu\text{m}$ X/Y, $\pm 50\mu\text{m}$ Z-height and ± 2 degree tilt assembly tolerances.

2. Includes $\pm 150\mu\text{m}$ X/Y, $\pm 50\mu\text{m}$ Z-height and ± 2 degree tilt assembly tolerances.

5.2.2 2 hole exclusion area

Figure 15. 2 hole exclusion areas

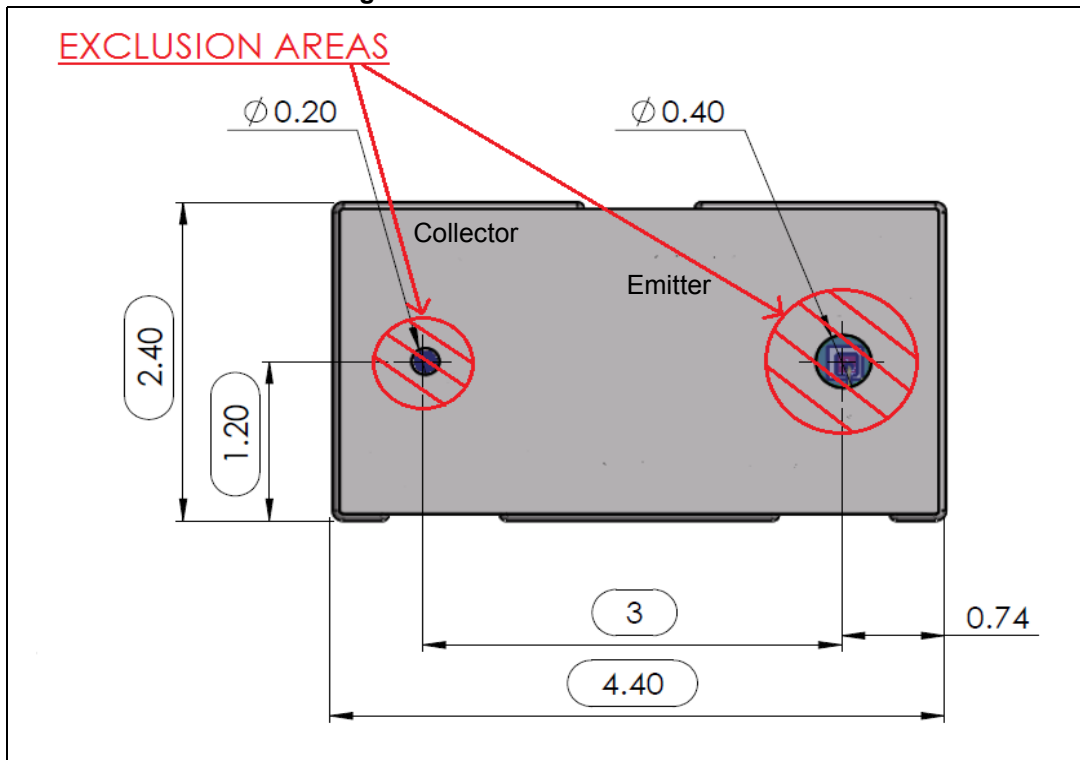


Table 2 gives the exclusion areas at the top of the cover window (i.e. as a function of air gap + window thickness).

Table 2. Two hole - exclusion areas versus air gap + window thickness

Air Gap + window thickness (mm)	Collector Diameter (mm) ⁽¹⁾	Emitter Diameter (mm) ⁽²⁾
0.1	0.57	0.79
0.2	0.61	0.86
0.3	0.66	0.92
0.4	0.70	0.98
0.5	0.74	1.05
0.6	0.79	1.11
0.7	0.83	1.17
0.8	0.88	1.24
0.9	0.92	1.30
1.0	0.97	1.36
1.5	1.19	1.68
2.0	1.41	1.99

1. Includes ±150µm X/Y, ±50µm Z-height and ±2degree tilt assembly tolerances.

2. Includes ±150µm X/Y, ±50µm Z-height and ±2degree tilt assembly tolerances.

6 Hornix cover window

ST can recommend the Hornix cover window as an example of very low cross talk cover window. But final selection will depend on the individual customer requirements.

Hornix can offer either a standalone cover window (IR-T012-PM3D-A066) or a VL53L0X cover window module (940 Laser module 4).

Contact details:

Hornix Optical Technology Inc.

No.79, Qinghua 2ND ST.

Xinwu Township

Taoyuan County 32742, Taiwan

TEL: +886-3-4972665

閎喬光學股份有限公司

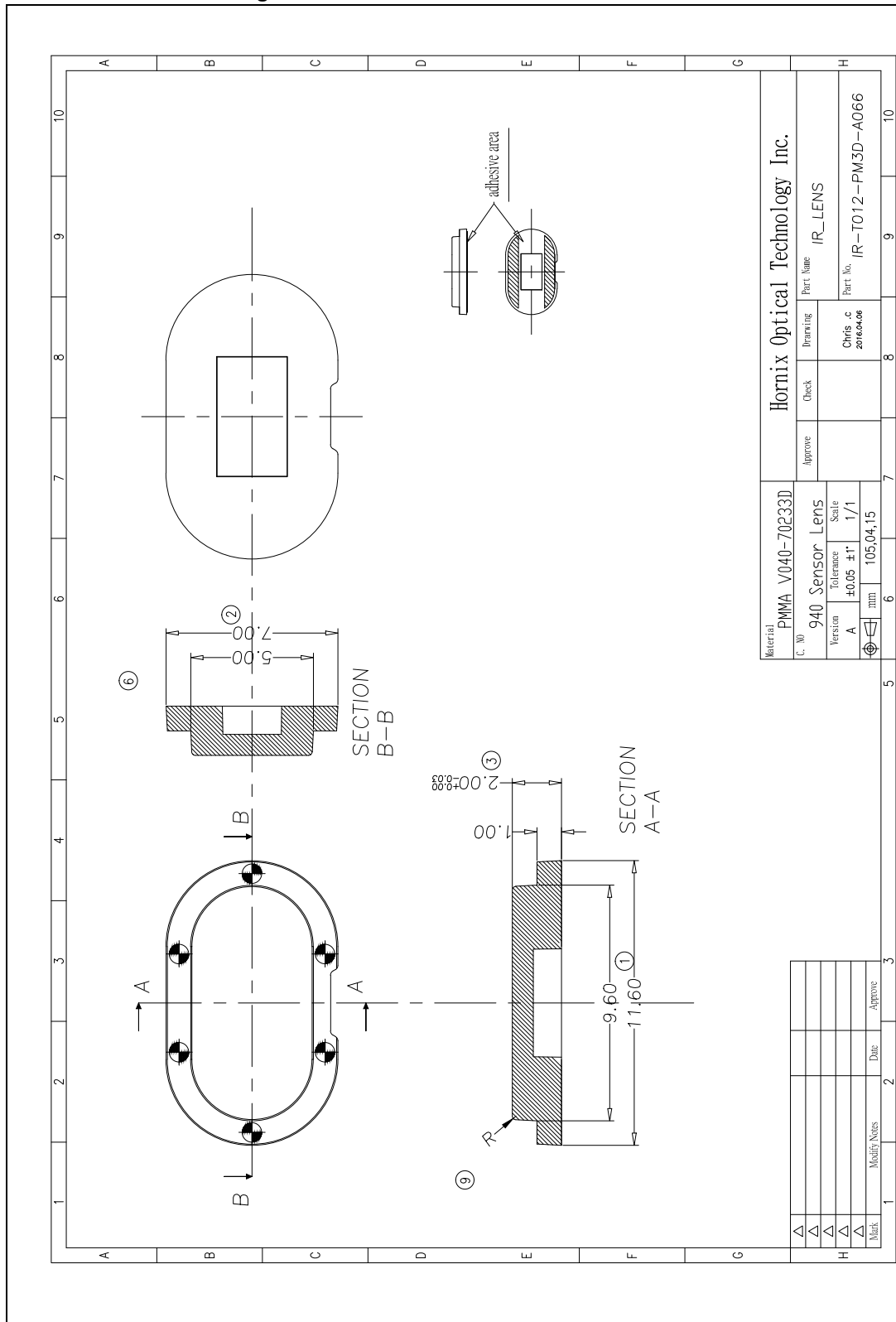
桃園市新屋區清華二街 79 號

Table 3. Hornix PMMA reference cover window

IR-T012-PM3D-A066	
Material	PMMA
Window invisibility methods	Embedded
Hardness	1H ~ 3H
AFC	N/A
ARC	Not required for Hornix solution. Transmission rate>90%
Thickness	0.85mm
Air gap	0.15mm ⁽¹⁾
Cross talk	0.1 ~ 0.3kcps
Temperature	0 to 80 degrees C

1. Air gap required to achieve 'Best in Class' performance.
Air gap set in module.

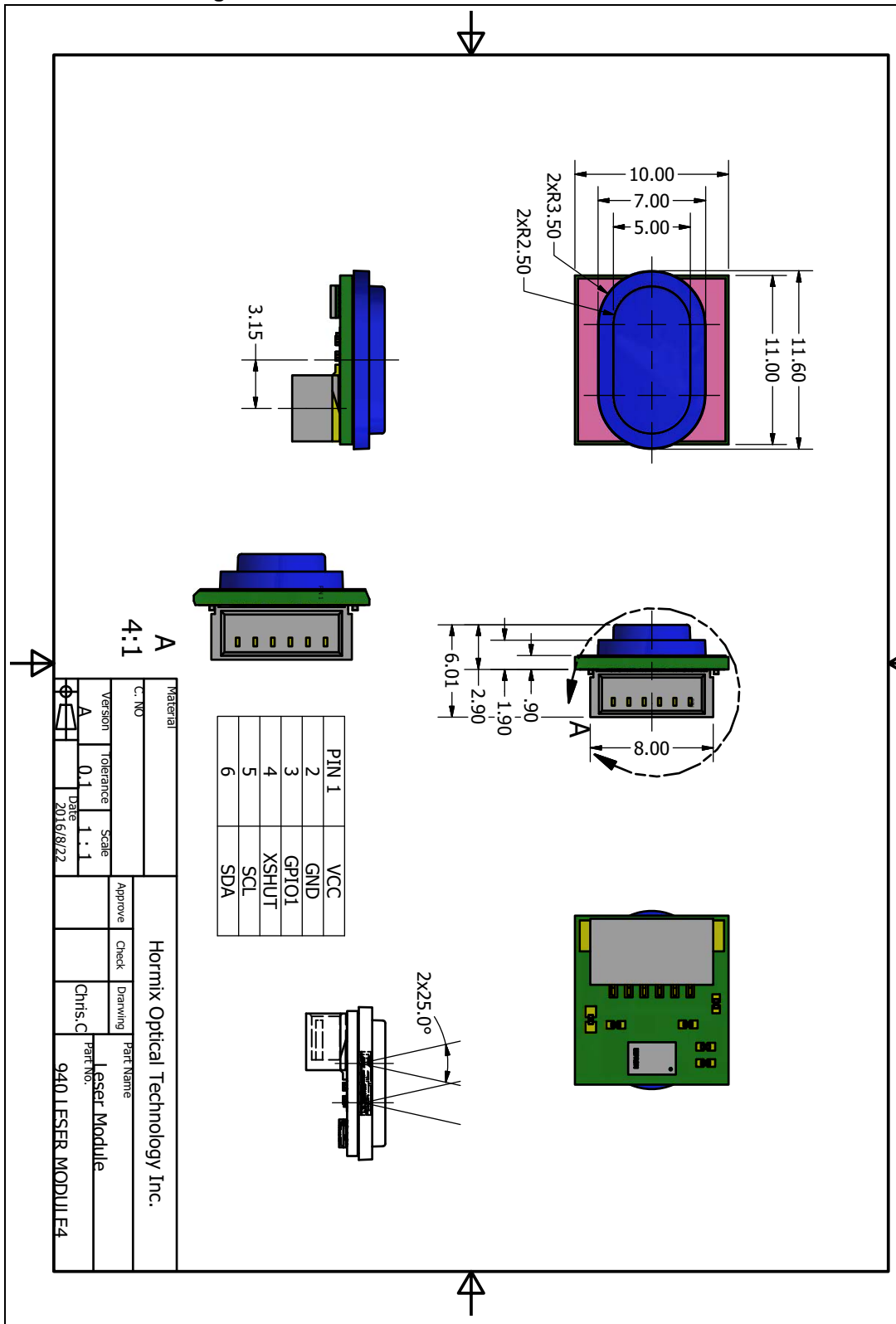
Figure 16. Hornix VL53L0X cover window



Material: PMMA V040-70233D		Hornix Optical Technology Inc.	
C. No.	940 Sensor Lens	Approve	Part Name: IR_LENS
Version	A	Check	Part No. IR-T012-PM3D-A066
Tolerance	±0.05 ±T	Drawning	Chris_C 2016.04.08
Scale	1/1		
	mm		
	105,04,15		

△				
△				
△				
△				
Mark	Modify Notes	Date	Approve	

Figure 17. Hornix VL53L0X cover window module



7 Acronyms and abbreviations

Table 4. Acronyms and abbreviations

Acronym/ abbreviation	Definition
AFC	Anti Fingerprint Coating
ARC	Anti-Reflective Coating
cps	Photon Counts per second
ID	Industrial Design
IR	Infrared
PC	Polycarbonate
PMMA	Polymethyl methacrylate)
ToF	Time of Flight

8 Revision history

Table 5. Document revision history

Date	Revision	Changes
24-Oct-2016	1	Initial release.

IMPORTANT NOTICE – PLEASE READ CAREFULLY

STMicroelectronics NV and its subsidiaries ("ST") reserve the right to make changes, corrections, enhancements, modifications, and improvements to ST products and/or to this document at any time without notice. Purchasers should obtain the latest relevant information on ST products before placing orders. ST products are sold pursuant to ST's terms and conditions of sale in place at the time of order acknowledgement.

Purchasers are solely responsible for the choice, selection, and use of ST products and ST assumes no liability for application assistance or the design of Purchasers' products.

No license, express or implied, to any intellectual property right is granted by ST herein.

Resale of ST products with provisions different from the information set forth herein shall void any warranty granted by ST for such product.

ST and the ST logo are trademarks of ST. All other product or service names are the property of their respective owners.

Information in this document supersedes and replaces information previously supplied in any prior versions of this document.

© 2016 STMicroelectronics – All rights reserved