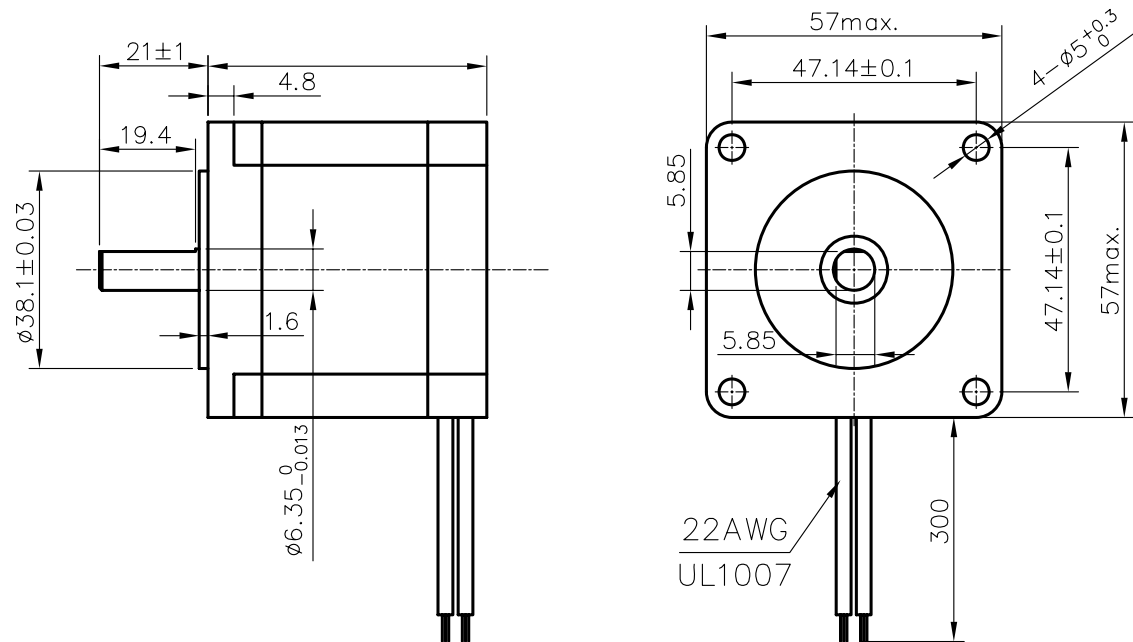


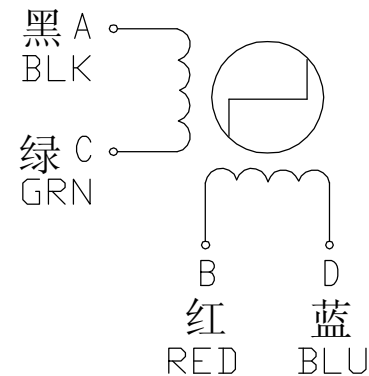
CONTROL SIGNATURE:

THE INFORMATION CONTAINED IN THIS DRAWING IS CONFIDENTIAL. COPYRIGHT

Dimension:  
Unit=mm



Wiring Diagram:



SPECIFICATIONS			
STEP ANGLE	1.8°±5%	VOLTAGE	3V
PHASES	2	CURRENT/PHASE	3A
INSULATION RESISTANCE	100MΩ(500V DC)	INDUCTANCE/PHASE	3.5 ±20% Mh
CLASS OF INSULATION	B	RESISTANCE/PHASE	1±10%Ω
WEIGHT	1.1 Kg Max	HOLDING TORQUE	18Kgf.cm

SCALE	UNIT	mm
	SIZE	A4
DRAWN XUQUAN		
CHECKED		
APPROVED		

A		1ST ISSUE	120111
REV.	EPO#	DETAILS	DATE
UNSPECIFIED TOLERANCE:		MERCURY MOTOR	
MATERIAL		TITLE	
		ST-57BYG076-3004D	
FINISH		SHEET 1 OF 1	REV A
		DWG.NO.	
		ST-57BYG076-10#	