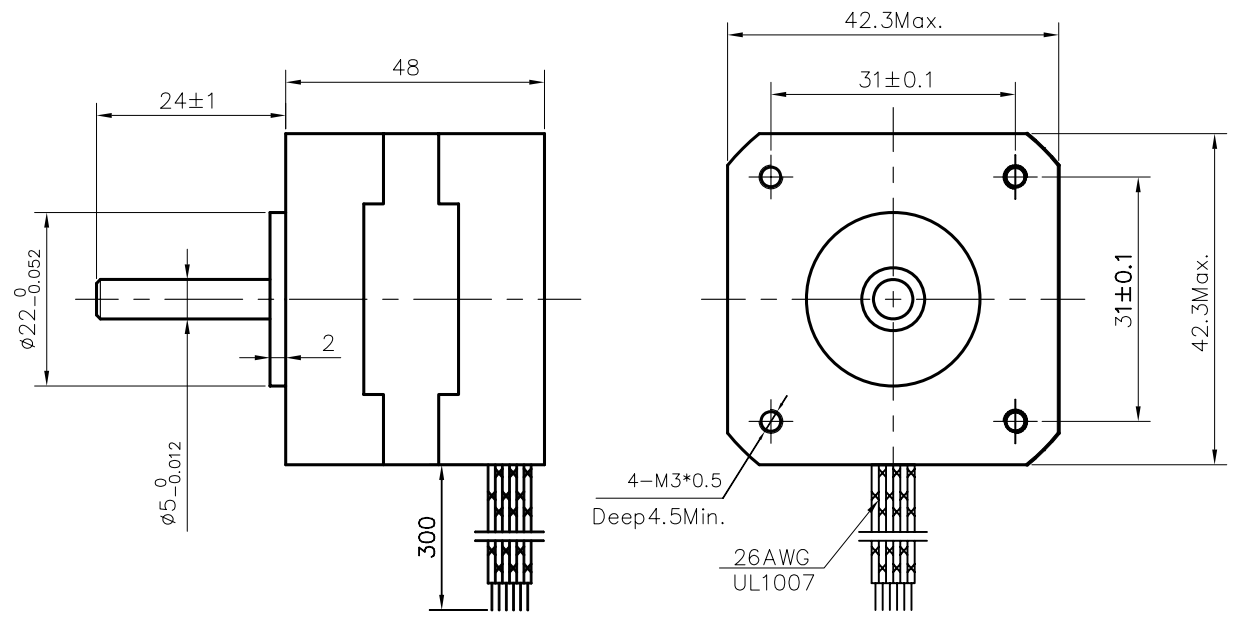


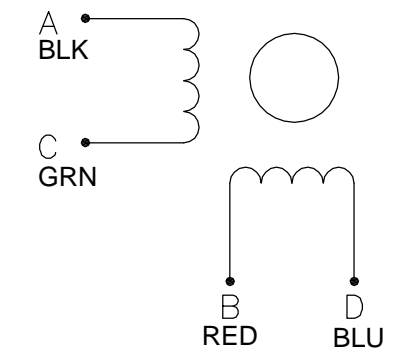
A B C D E F G H

CONTROL SIGNATURE:

Dimension:  
Unit=mm



Wiring Diagram:



THE INFORMATION CONTAINED IN THIS DRAWING IS CONFIDENTIAL. COPYRIGHT

1  
2  
3  
4  
5  
6

A		1ST ISSUE	130423
REV.	EPO#	DETAILS	DATE

SPECIFICATIONS			
STEP ANGLE	0.9°±5%	VOLTAGE	2.8V
PHASES	2	CURRENT/PHASE	1.68A
INSULATION RESISTANCE	100MΩ(500V DC)	INDUCTANCE/PHASE	4.1±20% Mh
CLASS OF INSULATION	B	RESISTANCE/PHASE	1.65 ±10%Ω
WEIGHT	0.34Kg Max	HOLDING TORQUE	4.4Kgf.cm

SCALE	UNIT	mm
	SIZE	A4
DRAWN Luke Chen		
CHECKED		
APPROVED		

UNSPECIFIED TOLERANCE:		MERCURY MOTOR	
MATERIAL		TITLE	
		ST-42BYH1684-1612	
FINISH		SHEET 1 OF 1	REV A
		DWG.NO.	
		ST-42BYH1864-0.9-125#	