



DESCRIPTION

The PT4317 is a low power single chip OOK/ASK superheterodyne receiver for the 315MHz and 434MHz frequency bands that offers a high level of integration and requires few external components. The PT4317 consists of a low-noise amplifier (LNA), down-conversion mixer, SAW-based local oscillator, on-chip gm-C band-pass filter, intermediate frequency (IF) limiting amplifier stage with received-signal-strength indicator (RSSI), and analog baseband data recovery circuitry (data filter, peak detector, and data slicer). The PT4317 is available in a 16-pin SSOP package.

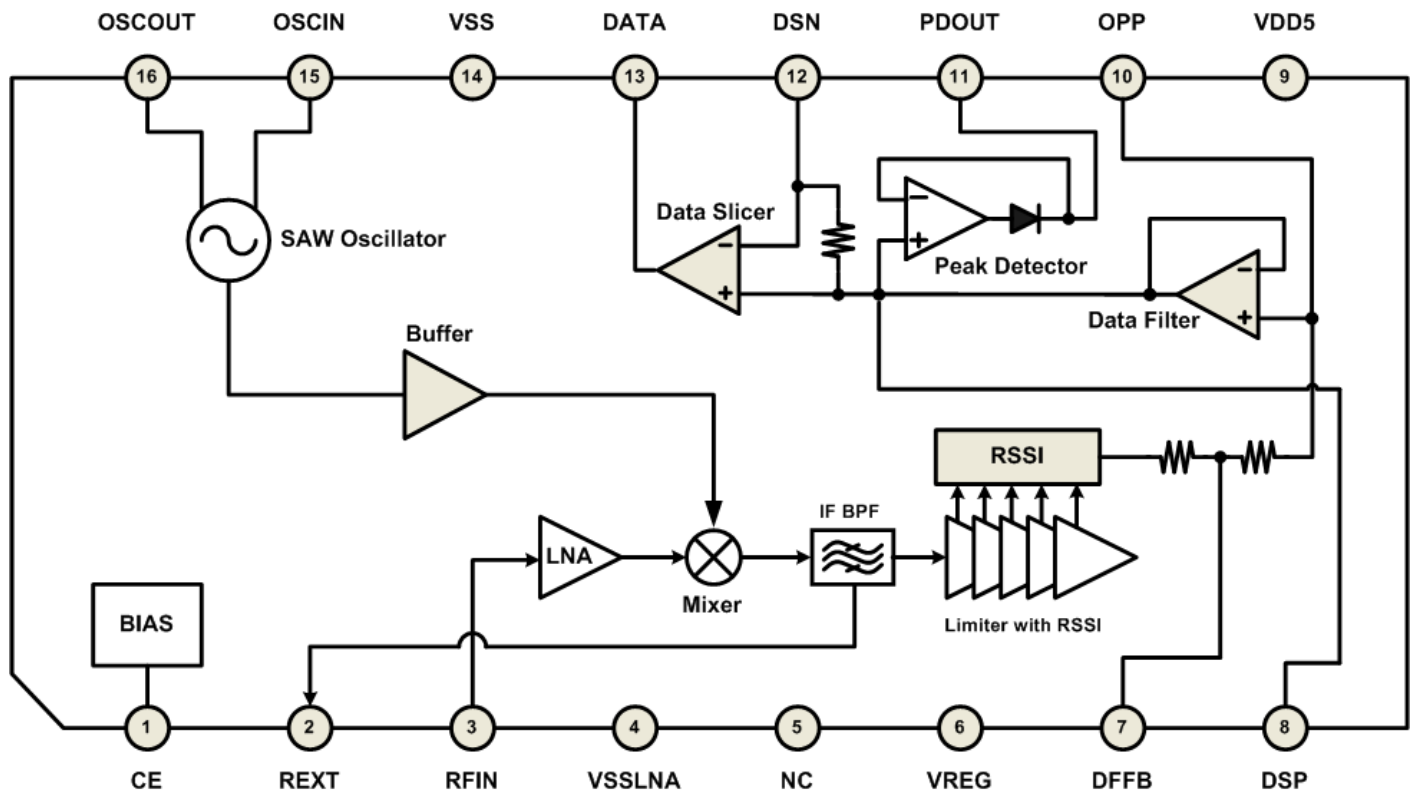
FEATURES

- Low current consumption (4.7mA at VDD=5.0V)
- 2.4V to 5.5V supply voltage operation range
- Optimized for 315MHz or 434MHz ISM Band
- Saw-based oscillator with low frequency drift
- On-chip IF filter with better adjacent channel rejection capability
- Power down mode with very low supply current (<1 μ A)
- Low external parts count
- 16-pin SSOP package

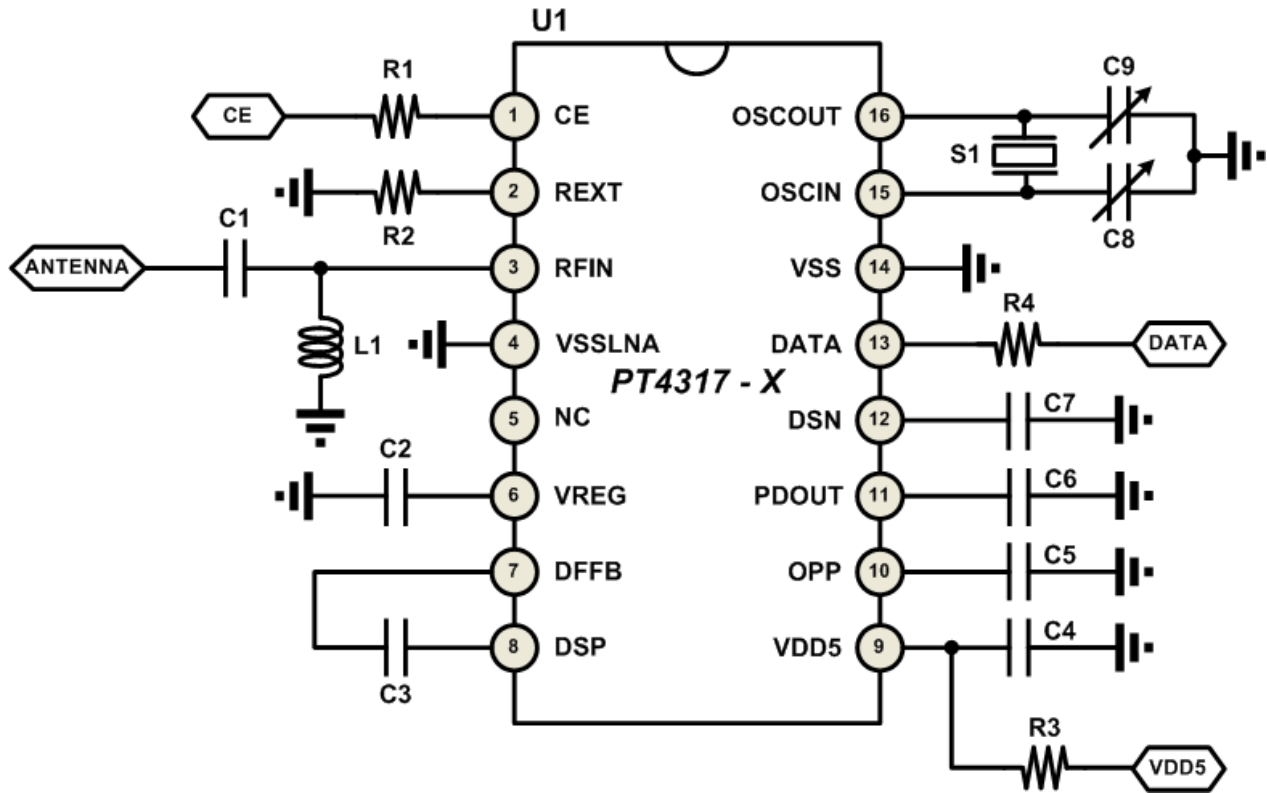
APPLICATIONS

- Remote Keyless Entry (RKE) systems
- Remote control systems
- Garage door openers
- Alarm systems
- Security systems
- Wireless sensors

BLOCK DIAGRAM



APPLICATION CIRCUIT



BILL OF MATERIALS

Part	Value		Unit	Description
	315MHz	433.92MHz		
L1	47n	27n	H	Antenna input matching, coil inductor.
C1	1.8p	1.8p	F	Antenna input matching.
C2/C4	100n	100n	F	Power supply de-coupling capacitor.
C3 ^{Note1}	470p	470p	F	Data filter capacitor.
C5 ^{Note1}	150p	150p	F	Data filter capacitor.
C6	100n	100n	F	Peak detector bypass capacitor(average mode)
C7 ^{Note1}	22n	22n	F	Data slicer threshold charge capacitor.
C8/C9 ^{Note2}	—	—	F	SAW oscillator frequency trimming capacitors.
R1/R4	10K	10K	Ω	MCU interface resistor (option).
R2	270K	270K	Ω	IF filter tuning resistor
R3	10	10	Ω	Power supply de-coupling resistor (option).
S1 ^{Note3}	316.8	435.72	MHz	SAW oscillator.
U1	PT4317 IC	PT4317 IC	U1	Receiver chip.

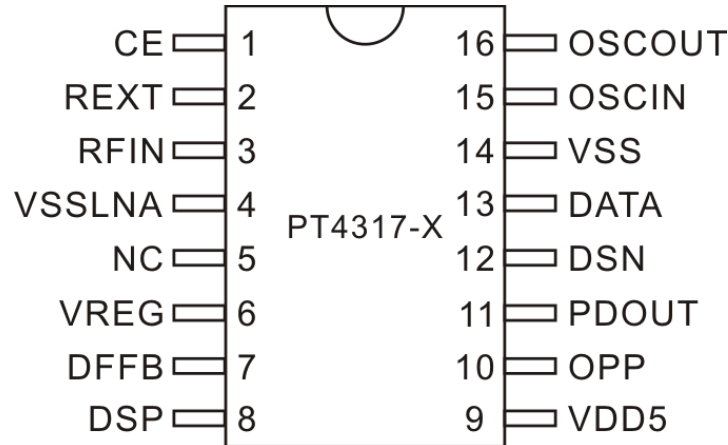
Notes:

1. The data filter and slicer are optimized for 2Kb/s data rate in this application circuit.
2. The C8 and C9 are trimming capacitors for fine tuning the oscillation frequency of SAW oscillator.
3. S1 is the SAW resonator, and the frequency drift tolerance of ±75KHz is acceptable.

ORDER INFORMATION

Valid Part Number	Package Type	Top Code
PT4317-X	16 Pins, SSOP, 150mil	PT4317-X

PIN CONFIGURATION



PIN DESCRIPTION

Pin Name	I/O	Description	Pin No.
CE	I	Chip enable	1
REXT	O	IF filter tuning resistor	2
RFIN	I	RF input	3
VSSLNA	G	Ground for LNA	4
NC	—	No connection	5
VREG	I/O	Voltage regulator output	6
DFFB	I	Data filter feedback point	7
DSP	I	Positive input of data slicer (data filter output)	8
VDD5	P	5V power supply voltage	9
OPP	I	Non-inverting op-amp input	10
PDOUT	O	Peak detector output	11
DSN	I	Negative input of data slicer	12
DATA	O	Data output	13
VSS	G	Ground	14
OSCIN	I	SAW oscillator input	15
OSCOUT	O	SAW oscillator output	16

FUNCTION DESCRIPTION

POWER SUPPLY

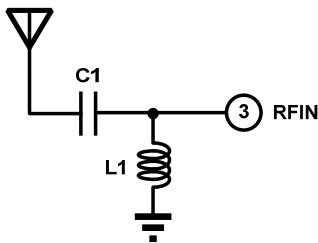
PT4317 includes an internal voltage regulator to supply power to all receiver blocks. Only the VDD5 pin (pin 9) must be connected to the external supply voltage, along with series-R, shunt-C filtering. Bypass capacitors should be placed as close as possible to the voltage regulator output pin (pin 6). The PT4317 chip supports operation over the supply voltage range from 2.4V to 5.5V.

RF FRONT-END

The RF front-end of the receiver part employs a superheterodyne architecture that achieves good performance characteristics, including low noise figure, high voltage conversion gain, and excellent reverse isolation. The RF front-end down-converts the input radio frequency (RF) signal into an intermediate frequency (IF) signal at 1.8MHz. According to the block diagram, the RF front-end consists of an LNA, down-conversion mixer, and a surface acoustic wave (SAW) oscillator signal with buffer amplifier to drive the mixer's LO input. The output of the RF front-end is fed into the IF chain for channel-select filtering and demodulation.

The RF downconverter does not include inherent suppression of the image frequency. Depending upon the particular application and the system's environmental conditions, a RF front-end filter may be added. If image rejection or good blocking immunity is a relevant system parameter, a band-pass filter must be placed in front of the LNA. This filter may be a SAW or LC-based filter (e.g. helix type).

The RF input pin (pin 3) may be matched to 50Ω with a shunt inductor from the RF input pin to ground and a series capacitor from the RF input to the antenna. An example of the input matching network is shown in the figure below and the input impedance of the PT4317 for 315 and 434MHz frequency bands is listed in the right-hand side table. The component values given in the BOM for the application circuit shown on page 2 are nominal values only. Actual inductor and capacitor values may be different, depending upon the PCB material, PCB thickness, ground configuration, and length of PCB traces.



RF Frequency f_{RF}	RFIN Input Impedance (Pin 3)
315MHz	10.49-j231.27
433.92MHz	6.5921-j160.35

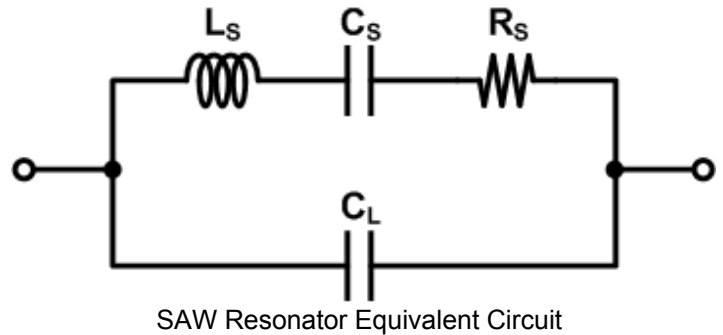
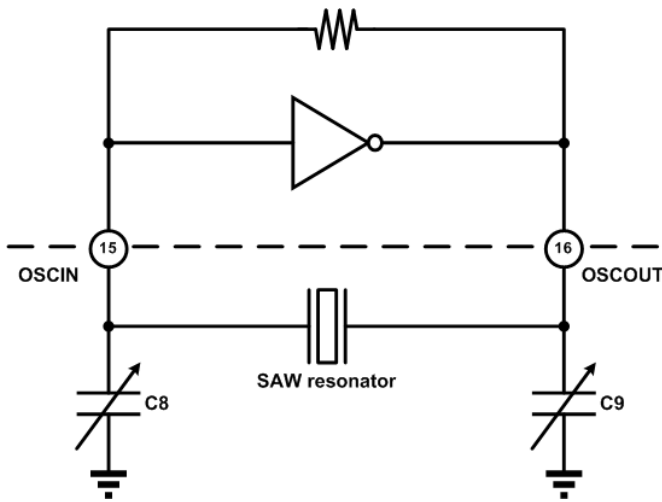
IF CHANNEL SELECT FILTER (CSF)

Out-of-band interference is rejected by means of a 6th-order Chebyshev gm-C filter centered at a frequency of 1.8MHz. To compensate for manufacturing tolerances, the IF CSF is auto-tuned after power-up. The IF filter auto-tuning mechanism requires an external resistor (R2) of 270K. By the way, the variation of the value of R2 within 1% is better.

SAW OSCILLATOR

The SAW oscillator is configured as a Pierce oscillator, but consists of a cascade of three amplifiers instead of a single amplifier. Although the circuit configuration is quite similar to the conventional Pierce oscillator, this configuration is capable of generating a much higher value of negative resistance. The SAW resonator is connected between pin 15 (OSCIN) and pin 16 (OSCOUT).

The capacitors (C8 and C9) connected from pin 15 (OSCIN) and pin 16 (OSCOUT) to ground is used for adjusting the oscillation frequency. In general, those capacitors are unnecessary if the frequency drift can be ignored. The SAW oscillator circuit is shown in the left-hand side figure below, and an equivalent circuit of a SAW resonator is shown on the right-hand side. The component values of the equivalent circuit are also listed below for reference.

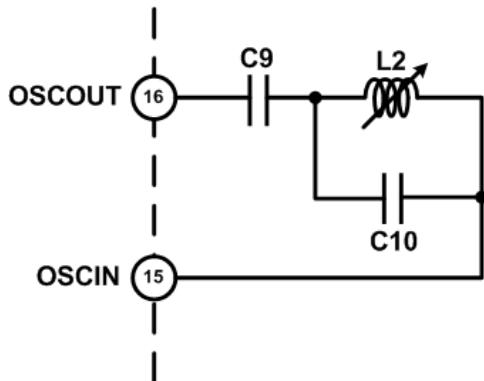


Part Number	Center Frequency (MHz)	R_s (Ω)	L_s (μ H)	C_s (pF)	C_L (pF)
SRA316D800A01-SD11	316.8	19	119.06	0.00213	2.4
MFSRA435.72A01-SD11	435.72	18	85.38	0.00156	1.7

For down-converting the RF signal to the IF frequency, a suitable SAW oscillation frequency must be chosen. In the PT4317 chip, since the center frequency of the IF CSF is located at 1.8MHz, the following equation may be used to calculate an appropriate SAW oscillator frequency:

$$\text{SAW Oscillator Freq.} = \text{TX Freq.} \pm 1.8 \text{ MHz}$$

In addition to a SAW resonator, the resonant circuit may also be achieved by an L-C tank circuit. A recommended circuit for an L-C tank is shown in the following figure.



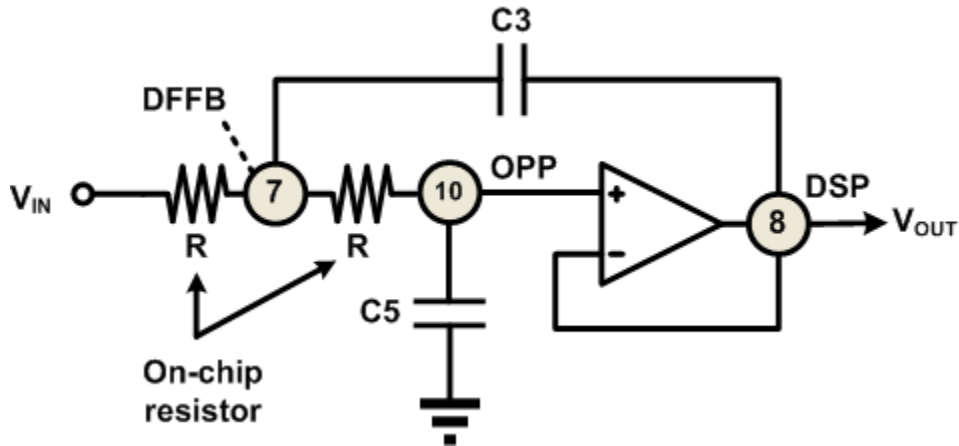
RF Frequency (MHz)	C9 (pF)	C10 (pF)	Trimmer L2 (H)
315	100	10	2.5T
433.92	100	5.6	1.5T

LIMITER/RSSI

The limiter is an AC coupled, multi-stage amplifier with a cumulative gain of approximately 70dB that has a band-pass characteristic centered near 1.8MHz. The -3dB bandwidth of the limiter is around 2MHz. The limiter circuit also produces an RSSI voltage that is directly proportional to the input signal level with a slope of approximately 10mV/dB. This signal is used by the succeeding baseband circuitry to demodulate ASK-modulated receive signals.

DATA FILTER

The data filter is also implemented as a 2nd-order low-pass Sallen-Key filter. The pole locations are set by the combination of two on-chip resistors and two external capacitors. Adjusting the value of the external capacitors changes the corner frequency and allows for optimization with different data rates. The corner frequency should be set to approximately 1.5 times the highest expected data rate from the transmitter. An ideal Sallen-Key filter is shown below.



Utilizing the on-board voltage follower and the two 100K on-chip resistors, a 2nd-order Sallen-Key low pass data filter may be constructed by adding two external capacitors between pins 7 (DFFB) and 8 (DSP) and to pin 10 (OPP) as depicted in the Application Circuit (see page 2). The following table shows the recommended values of the capacitors for different data rates.

Data Rate	C3 (pF)	C5 (pF)
< 2Kb/s	1000	270
2Kb/s ~ 10Kb/s	470	150
10Kb/s ~ 20Kb/s	150	56
20Kb/s ~ 40Kb/s	56	15
> 40Kb/s (see Note)	15	4.7

Note: the maximum data rate supported by the PT4317 is 50Kb/s

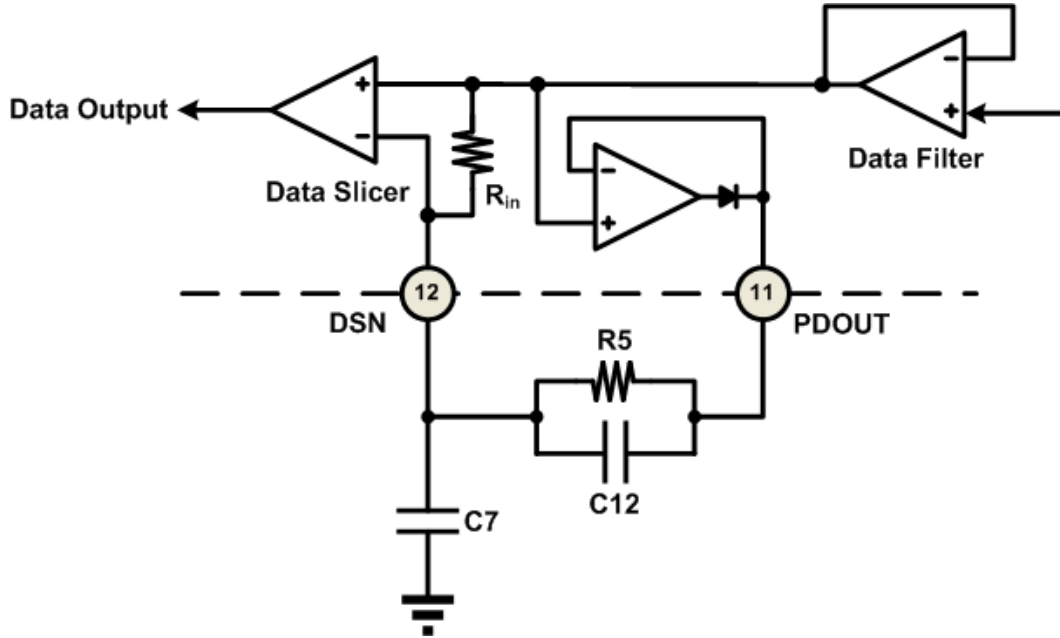
PEAK DETECTOR

The peak detector generates a DC voltage which is proportional to the peak value of the received data signal. An external R-C network is necessary. The peak detector input is connected to the data filter output, which is connected to pin 8 (DSP), and its output signal can be used as a reference for the data slicer. The R-C time constant is calculated with the driving current of the data filter, 250µA. The following table shows the recommended values of the resistor and capacitors for different data rates.

Data Rate	R5 (Ω)	C7 & C12 (F)
2Kb/s	250k	15n
10Kb/s	250k	3n
20Kb/s	250k	1.5n
40Kb/s	250k	680p

Note: the maximum data rate supported by the PT4317 is 50Kb/s

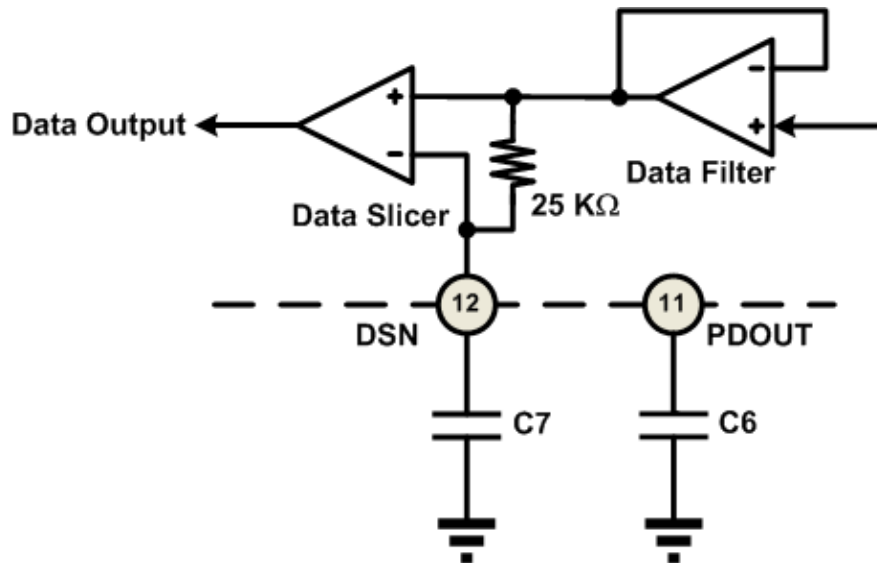
The circuit which utilizes the peak detector for faster start-up is depicted in the following figure.



DATA SLICER

The data slicer consists chiefly of a fast comparator, which allows for a maximum received data rate up to 50Kb/s. The maximum achievable data rate also depends upon the IF filter bandwidth. Both data slicer inputs are accessible off-chip to allow for easy adjustment of the slicing threshold. The output delivers a digital data signal (CMOS level) for subsequent circuits. The self-adjusting threshold on pin 12 (DSN) is generated by an R-C network or peak detector depending upon the baseband coding scheme.

The suggested data slicer configuration uses an internal 25KΩ resistor connected between DSN and DSP with a capacitor from DSN to ground as shown in the following figure. The cut-off frequency of the R-C integrator must be set lower than the lowest frequency appearing in the data signal to minimize distortion in the output signal.



DEMODULATION

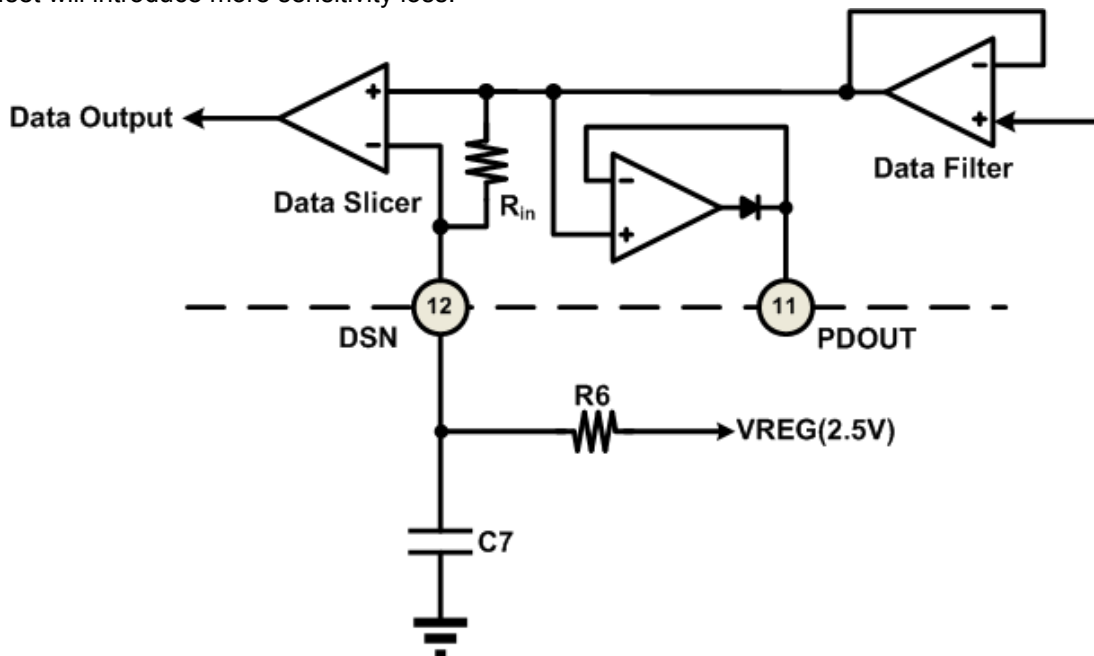
Using different circuit combinations, the PT4317 is capable of achieving three demodulation modes: "Peak Mode", "Squelch Mode" and "Average Mode."

PEAK MODE

The peak detector circuit can contribute an instantaneous voltage jump on node "DSN" through capacitive voltage divider formed by C7 and C12. After the jump, the voltage on node "DSN" will decay to a steady-state value determined by the resistive divider formed by Rin and R5. By selecting the suitable value of R5, C7 and C12, the threshold voltage for comparison can be rapidly set through the help of peak detector circuit (see the "PEAK DETECTOR" section).

SQUELCH MODE

In the absence of a RF signal, the data filter outputs a DC voltage with a time-varying noise which the peak-to-peak voltage value is around 20mV. The noise makes the non-inverting input voltage of the data slicer swing back and forth across the DSN threshold voltage, causing the comparator's output to switch back and forth between the supply voltage and ground randomly. The squelch mode operation adds a threshold deviation (DC offset) on the DSN threshold that stop the effect. However, the sensitivity will be sacrificed. The recommended value for the resistor R6 is 1.2MΩ (The sensitivity loss is about 4dB). The DC offset can be adjusted by changing the resistance of R6 and VREG voltage. A larger DC offset will introduce more sensitivity loss.



AVERAGE MODE

When the "Average Mode" has been set according to the figure shown in the *DATA SLICER* section above, the DATA output will exhibit a toggling behavior similar to random noise. In this mode, better sensitivity may be achieved, but noise immunity is worse than in "Peak Mode."

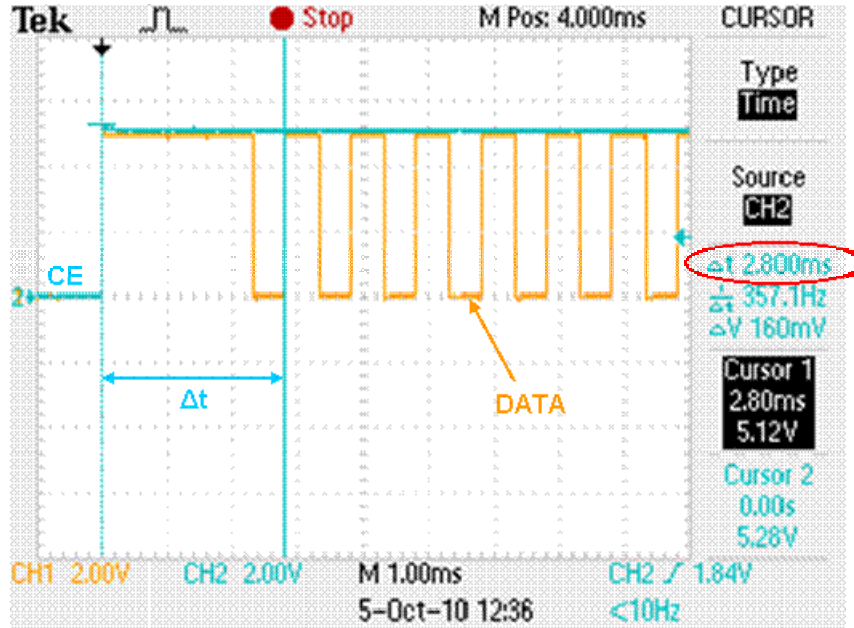
SENSITIVITY AND SELECTIVITY

In digital radio systems, sensitivity is often defined as the lowest signal level at the receiver input that will achieve a specified bit error rate (BER) at the output. The sensitivity of the PT4317 receiver is typically -106dBm (ASK modulated with 2Kb/s, 50% duty cycle square wave) to achieve a 0.1% BER when its input is matched for a 50Ω signal source.

The selectivity is governed by the response of the receiver front-end circuitry, the IF channel select filter (CSF), and the data filter. Note that the IF filter provides not only channel selectivity, but also the interference rejection. Within the pass band of the receiver, no rejection for interfering signals is provided.

POWER-DOWN CONTROL

The chip enable (CE) pin controls the power on/off behavior of the PT4317. Connecting CE to “HIGH” sets the PT4317 to the normal operation mode; connecting CE to “LOW” sets the PT4317 to standby mode. The current consumption of the PT4317 is lower than 1μA in standby mode. Once enabled, the PT4317 requires <5ms to recover received data. A timing plot showing the response of the data output once the PT4317 is enabled is shown in the following figure.



ANTENNA DESIGN

For a $\lambda/4$ dipole antenna and operating frequency, f (in MHz), the required antenna length, L (in cm), may be calculated by using the formula

$$L = \frac{7132}{f}$$

For example, if the frequency is 315MHz, then the length of a $\lambda/4$ antenna is 22.6 cm. If the calculated antenna length is too long for the application, then it may be reduced to $\lambda/8$, $\lambda/16$, etc. without degrading the input return loss. However, the RF input matching circuit may need to be re-optimized. Note that in general, the shorter the antenna, the worse the receiver sensitivity and the shorter the detection distance. Usually, when designing a $\lambda/4$ dipole antenna, it is better to use a single conductive wire (diameter about 0.8mm to 1.6mm) rather than a multiple core wire.

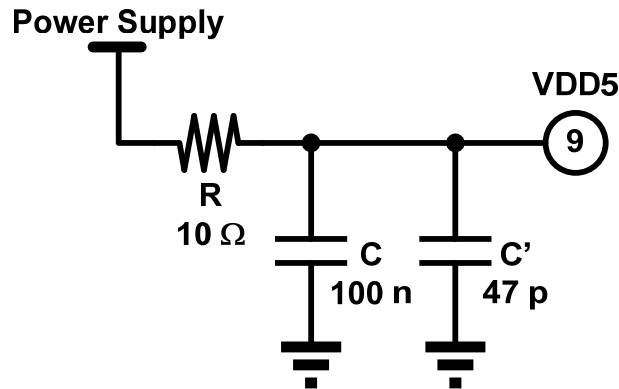
If the antenna is printed on the PCB, ensure there is neither any component nor ground plane underneath the antenna on the backside of PCB. For an FR4 PCB ($\epsilon_r=4.7$) and a strip-width of 30mil, the length of the antenna, L (in cm), is calculated by

$$L = \frac{c}{4 \times f \times \sqrt{\epsilon_r}} \quad \text{where "c" is the speed of light (3 x 10}^{10} \text{ cm/s)}$$

PCB LAYOUT CONSIDERATION

Proper PCB layout is extremely critical in achieving good RF performance. At the very least, using a two-layer PCB is strongly recommended, so that one layer may incorporate a continuous ground plane. A large number of via holes should connect the ground plane areas between the top and bottom layers. Note that if the PCB design incorporates a printed loop antenna, there should be no ground plane beneath the antenna.

Careful consideration must also be paid to the supply power and ground at the board level. The larger ground area plane should be placed as close as possible to the VSS and VSSLNA pins. To reduce supply bus noise coupling, the power supply trace should be incorporate series-R, shunt-C filtering as shown below.



If the power source is capable of supplying a stable voltage, C' may be ignored. In some applications, the DC source may be supplied from a simple AC-DC transformer. In such cases, the DC voltage level could be unstable and may adversely affect ASK/OOK receiver sensitivity. A solution may be to increase C to an appropriately large value while continuing to make the power source as stable as possible.

Finally, in an RF system, it is extremely important to keep the LNA or RF signal traces away from large voltage swing signals and digital data signal traces to avoid unnecessary interference. A representative layout of a PT4317 demo-board is shown on page 14.

ABSOLUTE MAXIMUM RATINGS

Parameter	Symbol	Min.	Max.	Unit
Supply Voltage Range	V_{DD5}	-0.3	6	V
Analog I/O Voltage	–	-0.3	3	V
Digital I/O Voltage	–	-0.3	6	V
Operating Temperature Range	T_{opr}	-40	+85	°C
Storage Temperature Range	T_{stg}	-55	+125	°C
Soldering Temperature	T_{SLD}	225		°C
Soldering Time	t_{STG}	10		S

RECOMMENDED OPERATING CONDITIONS

($V_{SS}=0V$)

Parameter	Symbol	Value			Unit
		Min.	Typ.	Max.	
Supply Voltage Range	V_{DD5}	2.4	5.0	5.5	V
Operating Temperature	T_A	-40	27	85	°C

PACKAGE THERMAL CHARACTERISTIC

Parameter	Symbol	Condition	Min.	Typ.	Max.	Unit
From Chip Conjunction Dissipation to External Environment	R_{ja}	$T_A=27^\circ C$	–	37.15	–	°C/W
From Chip Conjunction Dissipation to Package Surface	R_{jc}		–	1	1.8	



ELECTRICAL CHARACTERISTICS

Nominal conditions: $V_{DD5}=5.0V$, $V_{SS}=0V$, CE="HIGH", $T_A=+27^{\circ}C$, $f_{RF}=433.92MHz$.

Parameter	Symbol	Conditions	Min.	Typ.	Max.	Unit
General Characteristics						
Operating Frequency Range	f_{RF}		250	–	500	MHz
Supply Voltage	V_{DD5}	Connect the supply voltage to VDD5 pin only	2.4	5.0	5.5	V
Current Consumption	I_{DD5}	CE="HIGH"	4.2	4.7	5.2	mA
Standby Current	I_{STBY}	CE="LOW"	–	–	1.0	μA
Maximum Receiver Input Level	$P_{RF,MAX}$		-20	-10	–	dBm
Sensitivity ^{Note1}	S_{IN}	ASK ^{Note2} , $D_{Rate}=2Kb/s$, Peak power level	–	-106	-103	dBm
		OOK, $D_{Rate}=2Kb/s$, Peak power level	–	-100	-97	
Data Rate	D_{RATE}		–	2	50	Kb/s
LO Leakage	L_{LO}	Measured at antenna input	–	–	-57	dBm
System Start-Up Time	T_{STUP}		–	–	5	ms
RF Front-End						
Conversion Voltage Gain	GV_{RF}	Matched to 50 Ω	50	55	60	dB
Noise Figure	NF_{RF}	Matched to 50 Ω	6	7	8	dB
IF Band-Pass Filter						
Filter Center Frequency	f_{FLT}		–	1.8	–	MHz
IF Limiting Amplifier						
IF Frequency	f_{IF}		–	1.8	–	MHz
Gain	G_{IF}		64	70	76	dB
Bandwidth	BW_{LIM}		–	2	–	MHz
RSSI Dynamic Range	DR_{RSSI}		60	70	80	dB
SAW Oscillator						
Start-Up Time	$T_{OSC,ST}$		–	–	500	μS

Notes:

- BER=1e-3, data rate=2Kb/s.
- Use AM 99% with square wave modulation (if limited by capabilities of signal generator).
- Data rate selection affects choice of component values for data filter, peak detector and slicer.

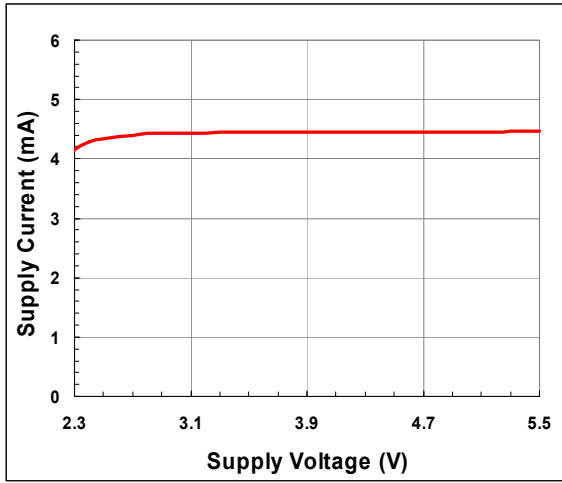


Figure 1. Supply Current vs. Supply Voltage

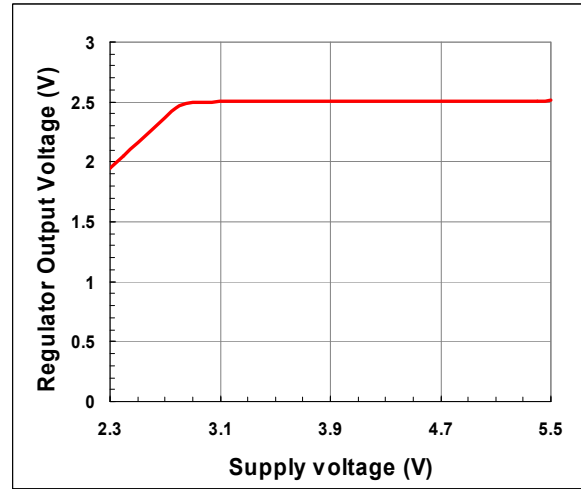


Figure 2. Voltage Regulator Characteristic

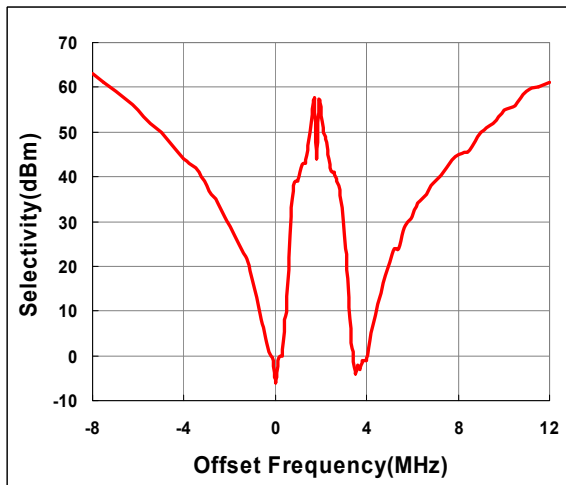


Figure 3. Selectivity Response for $f_{RF} = 434$ MHz

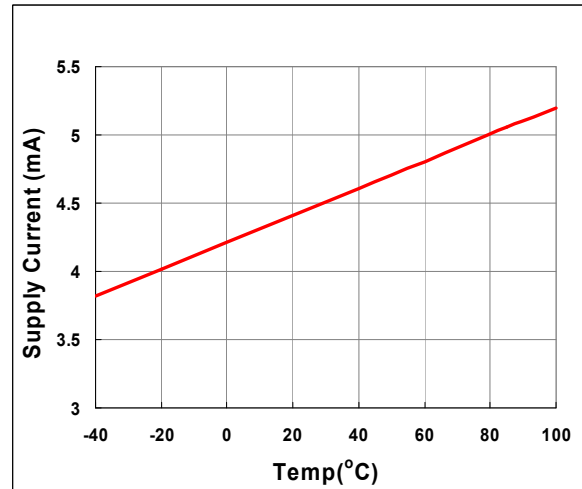


Figure 4. Current Consumption vs. Temperature

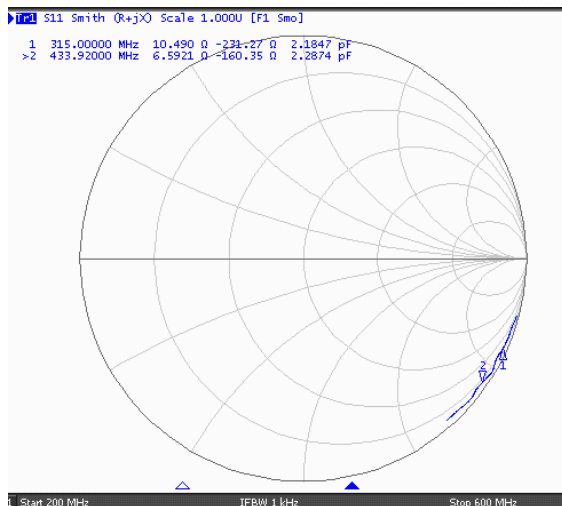


Figure 5. Smith Plot of RFIN

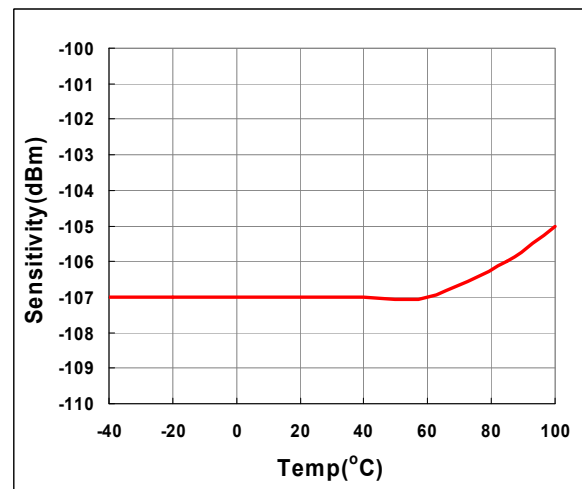
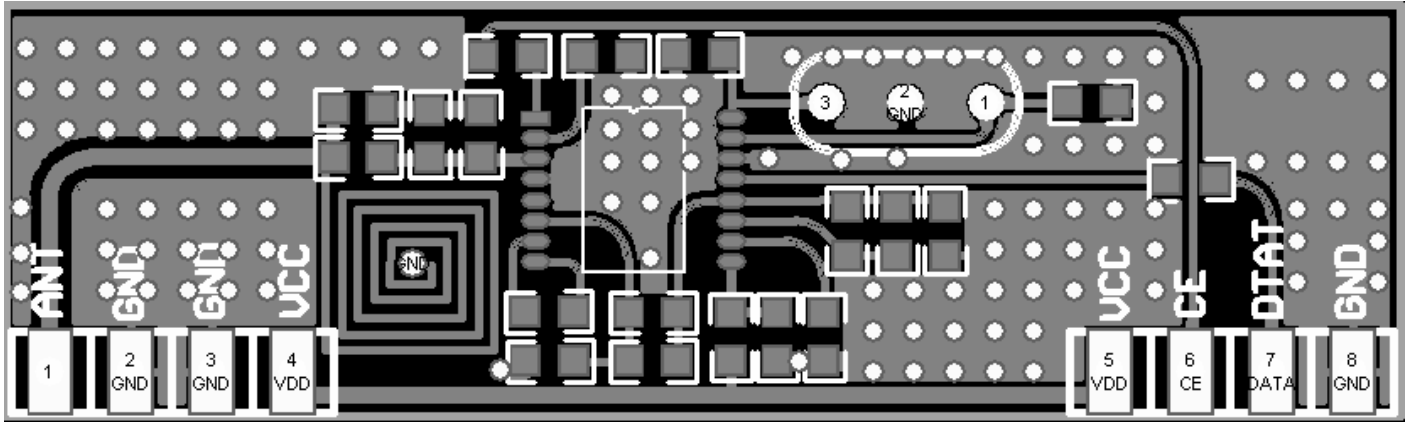
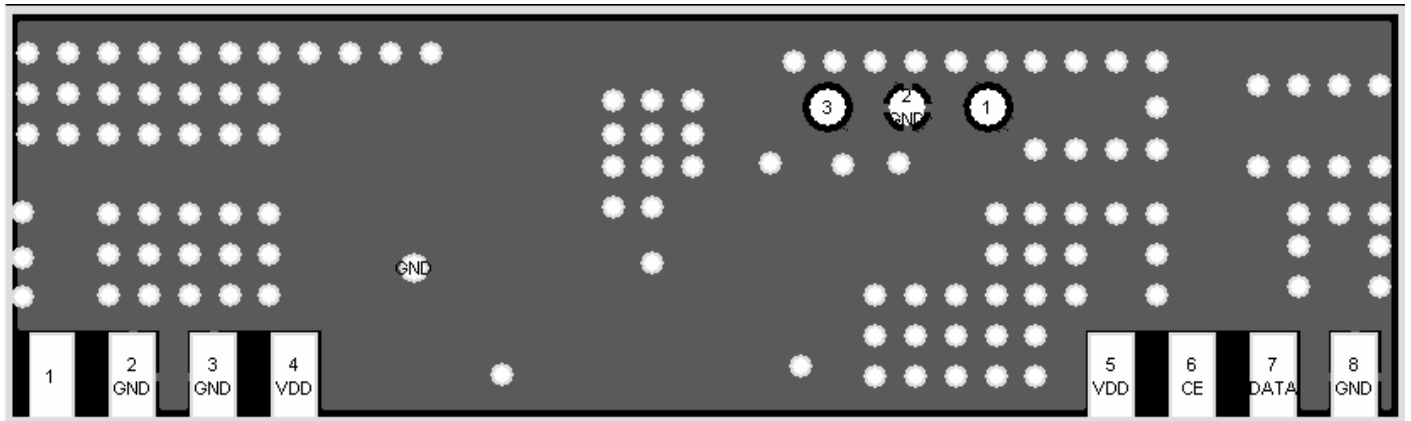


Figure 6. Sensitivity vs. Temperature

TEST BOARD LAYOUT



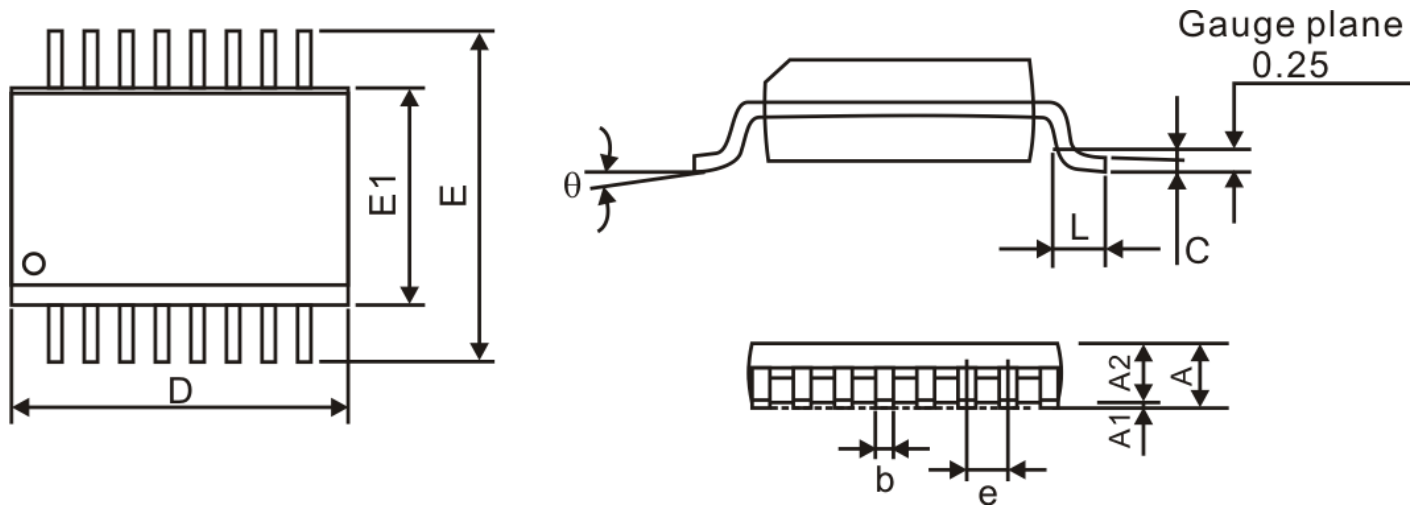
<Top Side>



<Bottom Side>

PACKAGE INFORMATION

16 Pins, SSOP, 150MIL



Symbol	Min.	Nom.	Max.
A	1.34	1.60	1.75
A1	0.10	-	0.25
A2	1.24	-	1.52
b	0.20	0.25	0.30
C	0.10	-	0.25
D	4.80	-	5.00
E	5.79	5.99	6.19
E1	3.81	3.91	3.98
e	-	0.63	-
L	0.38	-	1.27
θ	0°	-	8°

Notes:

1. Refer to JEDEC MO-137 AB.
2. Unit: mm

IMPORTANT NOTICE

Princeton Technology Corporation (PTC) reserves the right to make corrections, modifications, enhancements, improvements, and other changes to its products and to discontinue any product without notice at any time.

PTC cannot assume responsibility for use of any circuitry other than circuitry entirely embodied in a PTC product. No circuit patent licenses are implied.

Princeton Technology Corp.
2F, 233-1, Baociao Road,
Sindian, Taipei 23145, Taiwan
Tel: 886-2-66296288
Fax: 886-2-29174598
<http://www.princeton.com.tw>