

Manually Generating an Si5351 Register Map

1. Introduction

The Si5351 is a highly flexible and configurable clock generator and VCXO. A block diagram of the Si5351 programmable clock IC is shown in Figure 1. To support this flexibility, Silicon Labs has created ClockBuilder Desktop to create register maps automatically and easily for a given configuration. Since programming with ClockBuilder Desktop may not always be well suited for every system's requirements, this document presents the procedures and equations for determining a complete register set from a frequency plan. Section 2 highlights the overall frequency plan algorithm, and sections 3 and beyond detail all the necessary register calculations.

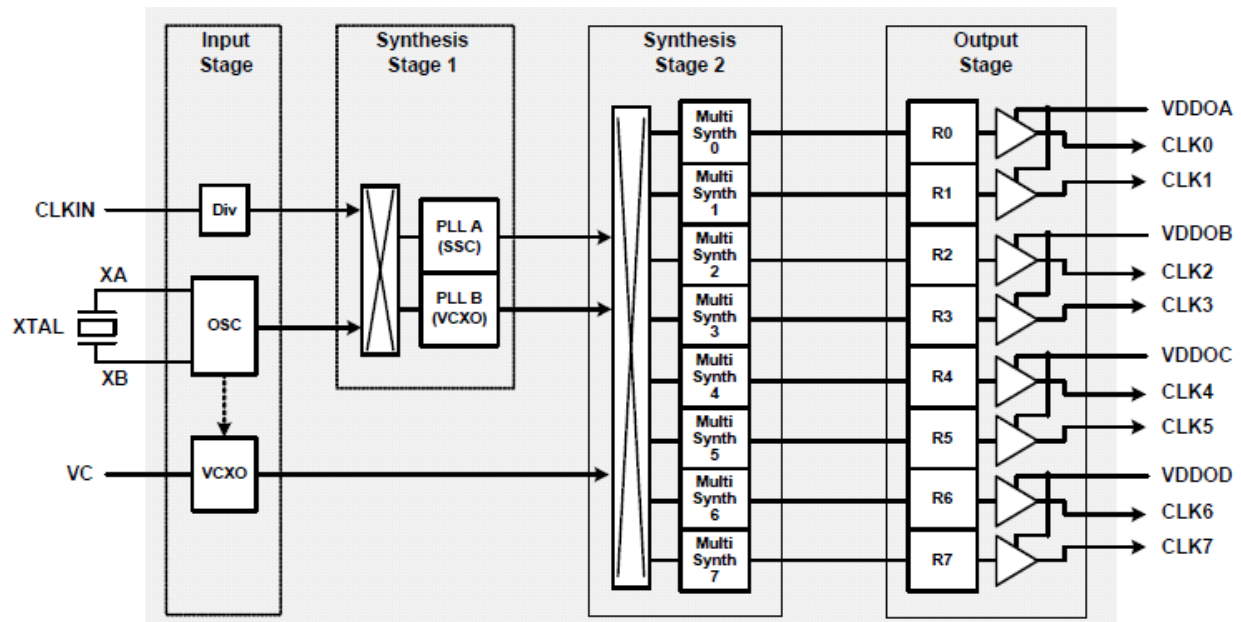


Figure 1. Generalized Si5351 Block Diagram

Figure 1 is a generalized block diagram of the Si5351. The Si5351 is available in three variants:

- Si5351A—XTAL only device.
- Si5351B—XTAL+VCXO.
- Si5351C—XTAL + CLKIN.

If spread spectrum is turned on, it is supported by PLLA. VCXO functionality (Si5351B devices only) is supported by PLLB.

2. Conceptualizing a Frequency Plan

The device consists of two PLLs—PLLA and PLLB. Each PLL consists of a Feedback Multisynth used to generate an intermediate VCO frequency in the range of 600 to 900 MHz. Either of these two VCO frequencies can be divided down by the individual output Multisynth dividers to generate a Multisynth frequency between 500 kHz and 200 MHz. Additionally, the R dividers can be used to generate any output frequency down to 2.5 kHz. The relationship between the VCO and output frequencies is given below.

$$f_{out_x} = \frac{f_{vco}}{\text{Multisynth}_x \times R_x}$$

Use the steps in the sections below to draw out a conceptual frequency plan map.

2.1. PLL Selection

If spread spectrum is not enabled, either of the two PLLs may be used as the source for any outputs of the Si5351A. If both XTAL and CLKIN input options are used simultaneously (Si5351C only), then one PLL must be reserved for use with CLKIN and one for use with the XTAL.

Note: PLLA must be used for any spread spectrum-enabled outputs. PLLB must be used for any VCXO outputs.

2.1.1. Selecting the Proper VCO Frequencies and Divide Ratios

The general criteria below may be used to set the VCO frequencies. This is a general model, and individual applications may require some modification.

1. Valid Multisynth divider ratios are 4, 6, 8, and any fractional value between $8 + 1/1,048,575$ and $900 + 0/1$. This means that if any output is greater than 112.5 MHz (900 MHz/8), then this output frequency sets one of the VCO frequencies.
2. For the frequencies where jitter is a concern make the output Multisynth divide ratio an integer. If possible, make both output and feedback Multisynth ratios integers.
3. Once criteria 1 and 2 are satisfied, try to select as many integer output Multisynth ratios as possible.

2.2. Output Clock Pin Assignment (Optional)

Some customers may wish to have full control of output clock pin assignment. The guidelines below may be used to assign clocks to pins on the device.

1. Equal output frequencies should share a VDDO bank (e.g., CLOK0&1, CLK2&3, etc.) whenever possible in order to ensure minimal jitter due to PCB crosstalk.
2. Isolate unique output frequencies on individual VDDO bank if possible. For example, if the four outputs are 25 MHz, 25 MHz, 27 MHz, and 74.25 MHz, then place them on CLK0, CLK1, CLK2, and CLK4, respectively.
3. Otherwise, use all necessary CLK channels based on the required frequency plan.

Note: The only valid divide ratios for CLK6 and CLK7 Multisynth dividers are even integers between 6 and 254 inclusive. This may limit the two VCO frequencies if all 8 output clocks are used.

3. Configuring Input and PLL Register Parameters (Synthesis Stage 1)

This section describes register parameters related to the input reference and the two PLLs.

3.1. PLL Input Source

The input source for each PLL must be selected. For the A and B devices, the only possible source is the XTAL, but for the C device, each PLL can be synchronized to either an XTAL or a CMOS clock on the CLKIN pin.

3.1.1. XTAL Source

If the source for the PLL is a crystal, PLLx_SRC must be set to 0 in register 15. XTAL_CL[1:0] must also be set to match the crystal load capacitance (see register 183).

3.1.2. CMOS Clock Source

If a PLL needs to be synchronized to a CMOS clock, PLLx_SRC must be 1. The input frequency range of the PLL is 10 to 40 MHz. If CLKIN is > 40 MHz, the CLKIN input divider must be used to bring the PLL input within the 10–40 MHz range. See CLKIN_DIV[1:0], register bits 15 [7:6].

3.2. Feedback Multisynth Divider Equations

Once the input source for each PLL and (if necessary) CLKIN_DIV are determined, the two VCO frequencies selected in Section 2 above can be generated using the following equations. Each feedback divider essentially multiplies the source frequency such that

$$f_{VCO} = f_{XTAL} \times \left(a + \frac{b}{c}\right)$$

and/or

$$f_{VCO} = \frac{f_{CLKIN}}{CLKIN_DIV} \times \left(a + \frac{b}{c}\right)$$

The fractional ratio

$$a + \frac{b}{c}$$

has a valid range of 15 + 0/1,048,575 and 90 + 0/1,048,575 and is represented in the Si5351 register space using the equations below.

$$MSNx_P1[17:0] = 128 \times a + \text{Floor}\left(128 \times \frac{b}{c}\right) - 512$$

$$MSNx_P2[19:0] = 128 \times b - c \times \text{Floor}\left(128 \times \frac{b}{c}\right)$$

$$MSNx_P3[19:0] = c$$

In the equations above, x is used to represent MSNA and MSNB, the PLLA and PLLB Multisynth dividers respectively. The equations above must be repeated for Multisynths NA and NB. As mentioned earlier in Section “2.1. PLL Selection”, spread spectrum is only supported by PLLA, and the VCXO functionality is only supported by PLLB. When using the VCXO function, set the MSNB divide ratio $a + b/c$ such that $c = 106$. This must be taken into consideration when configuring a frequency plan.

3.2.1. Integer Divide Values (FBx_INT)

If $a + b/c$ is an even integer, integer mode may be enabled for PLLA or PLLB by setting parameter FBA_INT or FBB_INT respectively. In most cases setting this bit will improve jitter when using even integer divide values. Whenever spread spectrum is enabled, FBA_INT must be set to 0.

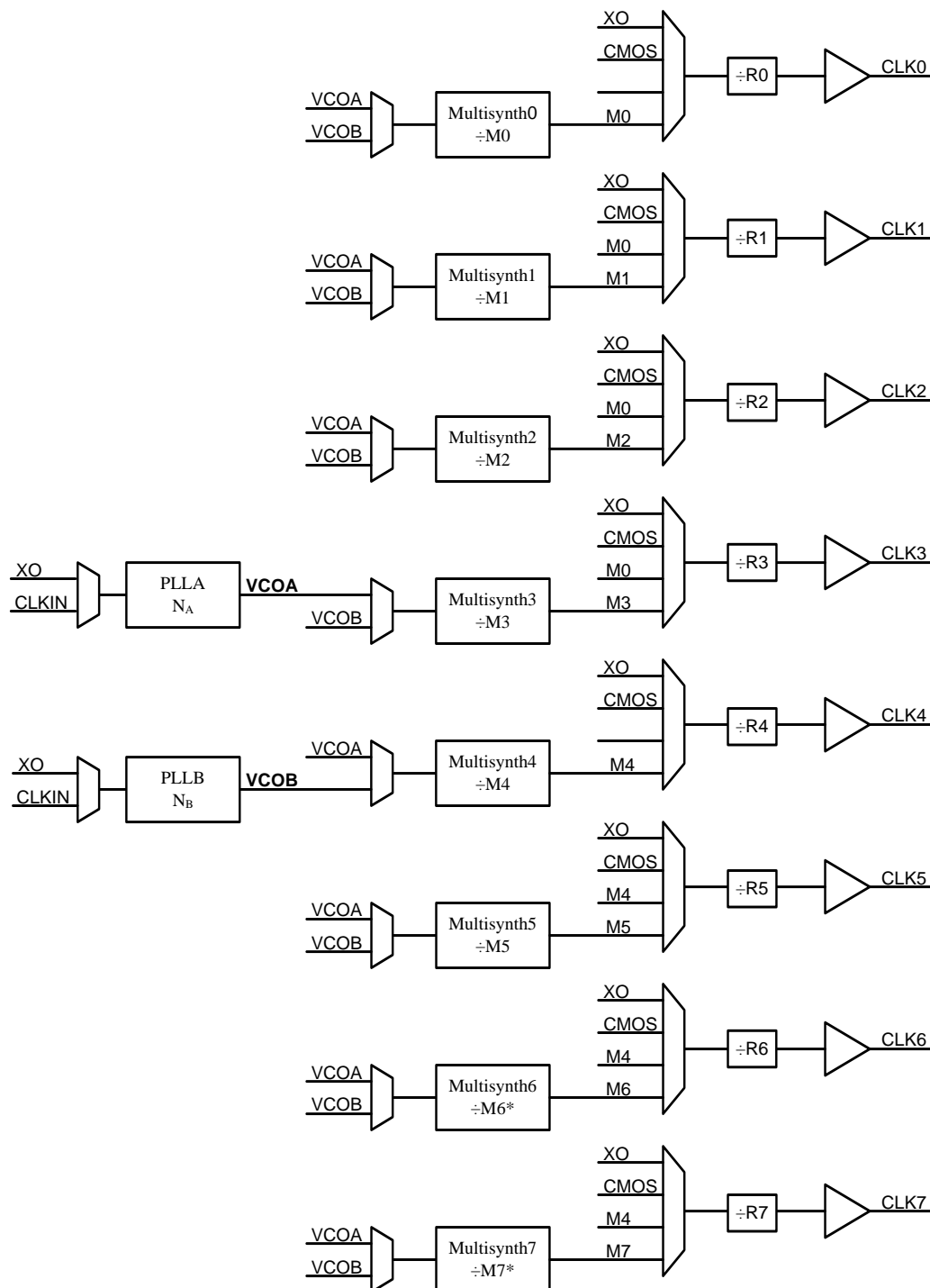
3.3. Miscellaneous PLL Parameters

Set PLLA_CL=2

Set PLLB_CL=2

4. Configuring the Output Register Parameters

This section covers the Multisynth and output driver settings necessary for each output. As shown in Figure 2, one of the two VCO frequencies is divided down by each Multisynth divider. This is followed by an output driver state. See “4.2. Output Driver Settings”.



* Multisynth 6 and 7 divide ratios can only be even integers between 6 and 254.

Figure 2. Detailed Dividers and Output Drivers Block Diagram

4.1. Output Multisynth Settings (Synthesis Stage 2)

This section describes the settings related to the individual Multisynths. The Si5351 consists of six fractional Multisynth dividers (MS0-MS5) and even-integer dividers (MS6 and MS7).

4.1.1. Output Multisynth Source (MSx_SRC)

Each of these dividers can be set to use PLLA or PLLB as its reference by setting MSx_SRC to 0 or 1 respectively. See bit 5 description of registers 16-23.

4.1.2. Output Multisynth Divider Equations (Fout <= 150 MHz)

Once the PLL source for the individual Multisynth is selected, the divide ratio can be set using the equations below. Divider represented as fractional number,

$$a + \frac{b}{c}$$

between 6 and 1800.

$$MSx_P1[17:0] = 128 \times a + \text{Floor}\left(128 \times \frac{b}{c}\right) - 512$$

$$MSx_P2[19:0] = 128 \times b - c \times \text{Floor}\left(128 \times \frac{b}{c}\right)$$

$$MSx_P3[19:0] = c$$

In the equations above, x=0, 1, ...5. As previously noted, MS6 and MS7 are integer-only dividers. The valid range of values for these dividers is all even integers between 6 and 254 inclusive. For MS6 and MS7, set MSx_P1 directly (e.g., MSx_P1=divide value).

4.1.2.1. Integer Divide Values(MSx_INT)

If any of the MS0-MS5 is an even integer, Multisynth integer mode may be enabled by setting MSx_INT=1 (see registers 16-21, bit 6). In most cases setting this bit will improve jitter when using even integer divide values. Multisynths 6 and 7 inherently operate in integer mode, and so there is no register to turn integer mode on or off.

4.1.3. Output Multisynth Divider Equations (150 MHz <Fout<=200 MHz)

Output frequencies greater than 150 MHz are available on Multisynths 0-5. For this frequency range a divide value of 4 must be used by setting

- MSx_P1=0,
- MSx_P2=0,
- MSx_P3=1,
- MSx_INT=1, and
- MSx_DIVBY4[1:0]=11b.

Set the appropriate feedback Multisynth to generate $f_{VCO}=Fout*4$.

4.2. Output Driver Settings

Once the Multisynth registers are assembled, the output driver settings can be modified according to the information in this section.

4.2.1. Clock Source (CLKx_SRC)

Generally, Multisynth x should be output on CLKx, however XO, CLKIN, or a divided version of either (see section 4.2.2 on R dividers) may also be output on each of the CLKx pins. Additionally, MS0 (or a divided version of MS0) may be output on CLK0-CLK3, and MS4 (or a divided version of MS4) may be output on CLK4-CLK7. See CLKx_SRC description for details.

4.2.2. R Dividers

The R dividers can be used to generate frequencies below about 500 kHz. Each individual output R divider can be set to 1, 2, 4, 8,....128 by writing the proper setting for Rx_DIV. Set this parameter to generate frequencies down to 8kHz.

4.2.3. (CLKx_INV)

In some cases, the user may need to invert the polarity (i.e., 180° phase offset) of one or more outputs with respect to the other outputs. This is achieved by setting CLKx_INV=1.

4.2.4. (CLKx_DIS_STATE)

When a clock is disabled via the OEB pin or OEB control register (reg 3), the output driver may be set to present a logic low, logic high, or high-impedance at the device pin. See CLKx_DIS_STATE description for details.

4.2.5. Unused Clock Outputs

Any unused clock outputs may be powered down to reduce IDD0 current consumption. Set CLKx_PDN=1 to power down unused clock output drivers.

5. Configuring Spread Spectrum Register Parameters

Spread spectrum can be enabled on any Multisynth output that uses PLLA as its reference. Valid ranges for spread spectrum include -0.1% to -2.5% down spread and up to $\pm 1.5\%$ center spread. This spread modulation rate is fixed at approximately 31.5 kHz.

The following parameters must be known to properly set up spread spectrum:

- $f_{PFD(A)}$ → input frequency to PLLA (determined in Sec 2 above and referred to in “3.1.2. CMOS Clock Source”). This is also listed in the ClockBuilder Desktop generated register map file as “#PFD(MHz)=...”
- $a + b/c$ → PLLA Multisynth radio (determined in Sec 2 above). This is also listed in register map file as “#Feedback Divider=...”
- $sscAMP$ → Spread amplitude (e.g., for down or center spread amplitude of 1%, $sscAmp = 0.01$).

Use the equations below to set up the desired spread spectrum profile.

Note: Make sure MSNA is set up in fractional mode when using the spread spectrum feature. See parameter FBA_INT in register 22.

5.1. Down Spread

For down spread, four spread spectrum parameters need to be written: SSUDP[11:0], SSDN_P1[11:0], SSDN_P2[14:0], and SSDN_P3[14:0].

Up/Down Parameter:

$$SSUDP[11:0] = \text{Floor}\left(\frac{f_{PFD}}{4 \times 31,500}\right)$$

Intermediate Equation (no register writes):

$$SSDN = 64 \times \left(a + \frac{b}{c}\right) \times \frac{sscAmp}{(1 + sscAmp) \times SSUDP}$$

Down-Spread Parameters:

$$SSDN_P1[11:0] = \text{Floor}[SSDN]$$

$$SSDN_P2[14:0] = 32,767 \times [SSDN - SSDN_P1]$$

$$SSDN_P3[14:0] = 32,767 = 0x7FFF$$

Up-Spread Parameters:

$$SSUP_P1 = 0$$

$$SSUP_P2 = 0$$

$$SSUP_P3 = 1$$

5.2. Center Spread

For center spread, seven spread spectrum parameters need to be written: SSUDP[11:0], SSDN_P1[11:0], SSDN_P2[14:0], SSDN_P3[14:0], SSUP_P1[11:0], SSUP_P2[14:0], and SSUP_P3[14:0].

Up/Down Parameter:

$$\text{SSUDP}[11:0] = \text{Floor}\left(\frac{f_{\text{PFD}}}{4 \times 31,500}\right)$$

Intermediate Equations (no register writes):

$$\text{SSUP} = 128 \times \left(a + \frac{b}{c}\right) \times \frac{\text{sscAmp}}{(1 - \text{sscAmp}) \times \text{SSUDP}}$$

$$\text{SSDN} = 128 \times \left(a + \frac{b}{c}\right) \times \frac{\text{sscAmp}}{(1 + \text{sscAmp}) \times \text{SSUDP}}$$

Up-Spread Parameters:

$$\text{SSUP_P1}[11:0] = \text{Floor}[\text{SSUP}]$$

$$\text{SSUP_P2}[14:0] = 32,767 \times [\text{SSUP} - \text{SSUP_P1}]$$

$$\text{SSUP_P3}[14:0] = 32,767 = 0x7FFF$$

Down-Spread Parameters:

$$\text{SSDN_P1}[11:0] = \text{Floor}[\text{SSDN}]$$

$$\text{SSDN_P2}[14:0] = 32,767 \times [\text{SSDN} - \text{SSDN_P1}]$$

$$\text{SSDN_P3}[14:0] = 32767 = 0x7FFF$$

5.3. Spread Spectrum Enable Pin (SSEN)

The Spread Spectrum Enable control pin is available on the Si5351A and B devices. Spread spectrum enable functionality is a logical OR of the SSEN pin and SSC_EN register bit, so for the SSEN pin to work properly, the SSC_EN register bit must be set to 0.

6. Configuring Initial Phase Offset Register Parameters

Outputs 0-5 of the Si5351 can be programmed with an independent initial phase offset. The phase offset parameter is an unsigned integer where each LSB represents a phase difference of a quarter of the VCO period, $T_{VCO}/4$. Use the equation below to determine the register value.

$$\text{CLKx_PHOFF}[4:0] = \text{Round}(\text{DesiredOffset}_{(\text{sec})} \times 4 \times F_{VCO})$$

7. Configuring VCXO Parameters (Si5351 B only)

The Si5351B combines free-running clock generation and a VCXO in a single package. The VCXO architecture of the Si5350B eliminates the need for an external pullable crystal. The “pulling” is done at PLLB. Only a standard, low cost, fixed-frequency (25 or 27 MHz) AT-cut crystal is required and is used as the reference source for both PLLA and PLLB.

PLLB must be used as the source for any VCXO output clock. Feedback B Multisynth divider ratio must be set such that the denominator, c , in the fractional divider $a + b/c$ is fixed to 10^6 . Set VCXO_Param register value according to the equation below. Note that 1.03 is a margining factor to ensure the full desired pull range is achieved. For a desired pull-range of ± 30 ppm, the value APR in the equation below is 30, for ± 60 ppm APR is 60, and so on.

$$\text{VCXO_Param}[21:0] = 1.03 \times \left[128a + \frac{b}{10^6} \right] \times \text{APR}$$

8. Si5351 Registers

This section describes the registers and their usage in detail. These values are easily configured using the ClockBuilder Desktop (see section 3.1.1 Clockbuilder™ Desktop Software in the Si5338 data sheet). See AN428 for a working example using Silicon Labs' F301 MCU.

8.1. Register Map Summary

The following is a summary of the register map used to read status, control, and configure the Si5351.

| Register | 7 | 6 | 5 | 4 | 3 | 2 | 1 | 0 |
|----------|----------------|-------------|----------------|-----------|-----------------|-----------|----------------|-----------|
| 0 | SYS_INIT | LOL_B | LOL_A | LOS | Reserved | | REVID[1:0] | |
| 1 | SYS_INIT_STKY | LOS_B_STKY | LOL_A_STKY | LOS_STKY | Reserved | | | |
| 2 | SYS_INIT_MASK | LOS_B_MASK | LOL_A_MASK | LOS_MASK | Reserved | | | |
| 3 | CLK7_EN | CLK6_EN | CLK5_EN | CLK4_EN | CLK3_EN | CLK2_EN | CLK1_EN | CLK0_EN |
| 4-8 | Reserved | | | | | | | |
| 9 | OEB_MASK7 | OEB_MASK6 | OEB_MASK5 | OEB_MASK4 | OEB_MASK3 | OEB_MASK2 | OEB_MASK1 | OEB_MASK0 |
| 10-14 | Reserved | | | | | | | |
| 15 | CLKIN_DIV[2:0] | | 0 | 0 | PLL_B_SRC | PLLA_SRC | 0 | 0 |
| 16 | CLK0_PDN | MS0_INT | MS0_SRC | CLK0_INV | CLK0_SRC[1:0] | | CLK0_IDRV[1:0] | |
| 17 | CLK1_PDN | MS1_INT | MS1_SRC | CLK1_INV | CLK1_SRC[1:0] | | CLK1_IDRV[1:0] | |
| 18 | CLK2_PDN | MS2_INT | MS2_SRC | CLK2_INV | CLK2_SRC[1:0] | | CLK2_IDRV[1:0] | |
| 19 | CLK3_PDN | MS3_INT | MS3_SRC | CLK3_INV | CLK3_SRC[1:0] | | CLK3_IDRV[1:0] | |
| 20 | CLK4_PDN | MS4_INT | MS4_SRC | CLK4_INV | CLK4_SRC[1:0] | | CLK4_IDRV[1:0] | |
| 21 | CLK5_PDN | MS5_INT | MS5_SRC | CLK5_INV | CLK5_SRC[1:0] | | CLK5_IDRV[1:0] | |
| 22 | CLK6_PDN | FBA_INT | MS6_SRC | CLK6_INV | CLK6_SRC[1:0] | | CLK6_IDRV[1:0] | |
| 23 | CLK7_PDN | FBB_INT | MS6_SRC | CLK7_INV | CLK7_SRC[1:0] | | CLK7_IDRV[1:0] | |
| 24 | CLK3_DIS_STATE | | CLK2_DIS_STATE | | CLK1_DIS_STATE | | CLK0_DIS_STATE | |
| 25 | CLK7_DIS_STATE | | CLK6_DIS_STATE | | CLK5_DIS_STATE | | CLK4_DIS_STATE | |
| 26 | MSNA_P3[15:8] | | | | | | | |
| 27 | MSNA_P3[7:0] | | | | | | | |
| 28 | Reserved | | | | | | MSNA_P1[17:16] | |
| 29 | MSNA_P1[15:8] | | | | | | | |
| 30 | MSNA_P1[7:0] | | | | | | | |
| 31 | MSNA_P3[19:16] | | | | MSNA_P2[19:16] | | | |
| 32 | MSNA_P2[15:8] | | | | | | | |
| 33 | MSNA_P2[7:0] | | | | | | | |
| 34 | MSNB_P3[15:8] | | | | | | | |
| 35 | MSNB_P3[7:0] | | | | | | | |
| 36 | MSNB_P2[17:16] | | Reserved | | | | | |
| 37 | MSNB_P1[15:8] | | | | | | | |
| 38 | MSNB_P1[7:0] | | | | | | | |
| 39 | MSNB_P3[19:16] | | | | MSNB_P2[19:16] | | | |
| 40 | MSNB_P2[15:8] | | | | | | | |
| 41 | MSNB_P2[7:0] | | | | | | | |
| 42 | MS0_P3[15:8] | | | | | | | |
| 43 | MS0_P3[7:0] | | | | | | | |
| 44 | Reserved | R0_DIV[2:0] | | | MS0_DIVBY4[1:0] | Reserved | MS0_P1[17:16] | |
| 45 | MS0_P1[15:8] | | | | | | | |
| 46 | MS0_P1[7:0] | | | | | | | |
| 47 | MS0_P3[19:16] | | | | MS0_P2[19:16] | | | |
| 48 | MS0_P2[15:8] | | | | | | | |

AN619

| Register | 7 | 6 | 5 | 4 | 3 | 2 | 1 | 0 |
|----------|----------|---------------|---|---|-----------------|---------------|---------------|---|
| 49 | | | | | MS0_P2[7:0] | | | |
| 50 | | | | | MS1_P3[15:8] | | | |
| 51 | | | | | MS1_P3[7:0] | | | |
| 52 | | R1_DIV[2:0] | | | MS1_DIVBY4[1:0] | | MS1_P1[17:16] | |
| 53 | | | | | MS1_P1[15:8] | | | |
| 54 | | | | | MS1_P1[7:0] | | | |
| 55 | | MS1_P3[19:16] | | | | MS1_P2[19:16] | | |
| 56 | | | | | MS1_P2[15:8] | | | |
| 57 | | | | | MS1_P2[7:0] | | | |
| 58 | | | | | MS2_P3[15:8] | | | |
| 59 | | | | | MS2_P3[7:0] | | | |
| 60 | | R2_DIV[2:0] | | | MS2_DIVBY4[1:0] | | MS2_P1[17:16] | |
| 61 | | | | | MS2_P1[15:8] | | | |
| 62 | | | | | MS2_P1[7:0] | | | |
| 63 | | MS2_P3[19:16] | | | | MS2_P2[19:16] | | |
| 64 | | | | | MS2_P2[15:8] | | | |
| 65 | | | | | MS2_P2[7:0] | | | |
| 66 | | | | | MS3_P3[15:8] | | | |
| 67 | | | | | MS3_P3[7:0] | | | |
| 68 | | R3_DIV[2:0] | | | MS3_DIVBY4[1:0] | | MS3_P1[17:16] | |
| 69 | | | | | MS3_P1[15:8] | | | |
| 70 | | | | | MS3_P1[7:0] | | | |
| 71 | | MS3_P3[19:16] | | | | MS3_P2[19:16] | | |
| 72 | | | | | MS3_P2[15:8] | | | |
| 73 | | | | | MS3_P2[7:0] | | | |
| 74 | | | | | MS4_P3[15:8] | | | |
| 75 | | | | | MS4_P3[7:0] | | | |
| 76 | | R4_DIV[2:0] | | | MS4_DIVBY4[1:0] | | MS4_P1[17:16] | |
| 77 | | | | | MS4_P1[15:8] | | | |
| 78 | | | | | MS4_P1[7:0] | | | |
| 79 | | MS4_P3[19:16] | | | | MS4_P2[19:16] | | |
| 80 | | | | | MS4_P2[15:8] | | | |
| 81 | | | | | MS4_P2[7:0] | | | |
| 82 | | | | | MS5_P3[15:8] | | | |
| 83 | | | | | MS5_P3[7:0] | | | |
| 84 | | R5_DIV[2:0] | | | MS5_DIVBY4[1:0] | | MS5_P1[17:16] | |
| 85 | | | | | MS5_P1[15:8] | | | |
| 86 | | | | | MS5_P1[7:0] | | | |
| 87 | | MS5_P3[19:16] | | | | MS5_P2[19:16] | | |
| 88 | | | | | MS5_P2[15:8] | | | |
| 89 | | | | | MS5_P2[7:0] | | | |
| 90 | | | | | MS6_P1[7:0] | | | |
| 91 | | | | | MS7_P1[7:0] | | | |
| 92 | | R7_DIV[2:0] | | | | | R6_DIV[2:0] | |
| 149 | SSC_EN | | | | SSDN_P2[14:8] | | | |
| 150 | | | | | SSDN_P2[7:0] | | | |
| 151 | SSC_MODE | | | | SSDN_P3[14:8] | | | |
| 152 | | | | | SSDN_P3[7:0] | | | |
| 153 | | | | | SSDN_P1[7:0] | | | |
| 154 | | SSUDP[11:8] | | | | SSDN_P1[11:8] | | |
| 155 | | | | | SSUDP[7:0] | | | |

| Register | 7 | 6 | 5 | 4 | 3 | 2 | 1 | 0 |
|----------|------------------|-------------------|----------|---------------|---------------|---|---|----------|
| 156 | SSUP_P2[14:8] | | | | | | | |
| 157 | SSUP_P2[7:0] | | | | | | | |
| 158 | SSUP_P3[14:8] | | | | | | | |
| 159 | SSUP_P3[7:0] | | | | | | | |
| 160 | SSUP_P1[7:0] | | | | | | | |
| 161 | SS_NCLK[3:0] | | | | SSUP_P1[11:8] | | | |
| 162 | VCXO_Param[7:0] | | | | | | | |
| 163 | VCXO_Param[15:8] | | | | | | | |
| 164 | Reserved | VCXO_Param[21:16] | | | | | | |
| 165 | Reserved | CLK0_PHOFF[6:0] | | | | | | |
| 166 | Reserved | CLK1_PHOFF[6:0] | | | | | | |
| 167 | Reserved | CLK2_PHOFF[6:0] | | | | | | |
| 168 | Reserved | CLK3_PHOFF[6:0] | | | | | | |
| 189 | Reserved | CLK4_PHOFF[6:0] | | | | | | |
| 170 | Reserved | CLK5_PHOFF[6:0] | | | | | | |
| 171–176 | Reserved | | | | | | | |
| 177 | PLL_B_RST | Reserved | PLLA_RST | Reserved | | | | Reserved |
| 178–182 | Reserved | | | | | | | |
| 183 | XTAL_CL | | Reserved | | | | | |
| 184–186 | Reserved | | | | | | | |
| 187 | CLKIN_FA-NOUT_EN | XO_FA-NOUT_EN | Reserved | MS_FA-NOUT_EN | Reserved | | | |
| 188-255 | Reserved | | | | | | | |

9. Register Descriptions

Register 0. Device Status

| Bit | D7 | D6 | D5 | D4 | D3 | D2 | D1 | D0 |
|------|----------|-------|-------|-----|----|----|------------|----|
| Name | SYS_INIT | LOL_B | LOL_A | LOS | | | REVID[1:0] | |
| Type | R | R | R | R | R | R | R | |

Reset value = 0000 0000

| Bit | Name | Function |
|-----|----------|--|
| 7 | SYS_INIT | <p>System Initialization Status.</p> <p>During power up the device copies the content of the NVM into RAM and performs a system initialization. The device is not operational until initialization is complete. It is not recommended to read or write registers in RAM through the I²C interface until initialization is complete. An interrupt will be triggered (INTR pin = 0, Si5351C only) during the system initialization period.</p> <p>0: System initialization is complete. Device is ready. 1: Device is in system initialization mode.</p> |
| 6 | LOL_B | <p>PLL B Loss Of Lock Status.</p> <p>Si5351A/C only. PLL B will operate in a locked state when it has a valid reference from CLKIN or XTAL. A loss of lock will occur if the frequency of the reference clock forces the PLL to operate outside of its lock range or if the reference clock fails to meet the minimum requirements of a valid input signal as specified in the Si5351 data sheet. An interrupt will be triggered (INTR pin = 0, Si5351C) during a LOL condition.</p> <p>0: PLL B is locked. 1: PLL B is unlocked. When the device is in this state it will trigger an interrupt causing the INTR pin to go low (Si5351C only).</p> |
| 5 | LOL_A | <p>PLL A Loss Of Lock Status.</p> <p>PLL A will operate in a locked state when it has a valid reference from CLKIN or XTAL. A loss of lock will occur if the frequency of the reference clock forces the PLL to operate outside of its lock range as specified in the data sheet, or if the reference clock fails to meet the minimum requirements of a valid input signal as specified in the Si5351 data sheet. An interrupt will be triggered (INTR pin = 0, Si5351C only) during a LOL condition.</p> <p>0: PLL A is operating normally. 1: PLL A is unlocked. When the device is in this state it will trigger an interrupt causing the INTR pin to go low (Si5351C only).</p> |
| 4 | LOS | <p>CLKIN Loss Of Signal (Si5351C Only).</p> <p>A loss of signal status indicates if the reference clock fails to meet the minimum requirements of a valid input signal as specified in the Si5351 data sheet. An interrupt will be triggered (INTR pin = 0, Si5351C only) during a LOS condition.</p> <p>0: Valid clock signal at the CLKIN pin. 1: Loss of signal detected at the CLKIN pin.</p> |
| 3:0 | Reserved | Reserved. |

Register 1. Interrupt Status Sticky

| Bit | D7 | D6 | D5 | D4 | D3 | D2 | D1 | D0 |
|------|---------------|------------|------------|----------|-----|-----|-----|-----|
| Name | SYS_INIT_STKY | LOL_B_STKY | LOL_A_STKY | LOS_STKY | | | | |
| Type | R/W | R/W | R/W | R/W | R/W | R/W | R/W | R/W |

Reset value = 0000 0000

| Bit | Name | Function |
|-----|---------------|--|
| 7 | SYS_INIT_STKY | <p>System Calibration Status Sticky Bit.</p> <p>The SYS_INIT_STKY bit is triggered when the SYS_INIT bit (register 0, bit 7) is triggered high. It remains high until cleared. Writing a 0 to this register bit will cause it to clear.</p> <p>0: No SYS_INIT interrupt has occurred since it was last cleared. 1: A SYS_INIT interrupt has occurred since it was last cleared.</p> |
| 6 | LOL_B_STKY | <p>PLL B Loss Of Lock Status Sticky Bit.</p> <p>The LOL_B_STKY bit is triggered when the LOL_B bit (register 0, bit 6) is triggered high. It remains high until cleared. Writing a 0 to this register bit will cause it to clear.</p> <p>0: No PLL B interrupt has occurred since it was last cleared. 1: A PLL B interrupt has occurred since it was last cleared.</p> |
| 5 | LOL_A_STKY | <p>PLLA Loss Of Lock Status Sticky Bit.</p> <p>The LOL_A_STKY bit is triggered when the LOL_A bit (register 0, bit 5) is triggered high. It remains high until cleared. Writing a 0 to this register bit will cause it to clear.</p> <p>0: No PLLA interrupt has occurred since it was last cleared. 1: A PLLA interrupt has occurred since it was last cleared.</p> |
| 4 | LOS_STKY | <p>CLKIN Loss Of Signal Sticky Bit (Si5351C Only).</p> <p>The LOS_STKY bit is triggered when the LOS bit (register 0, bit 4) is triggered high. It remains high until cleared. Writing a 0 to this register bit will cause it to clear.</p> <p>0: No LOS interrupt has occurred since it was last cleared. 1: A LOS interrupt has occurred since it was last cleared.</p> |
| 3:0 | Reserved | Leave as default. |

AN619

Register 2. Interrupt Status Mask

| Bit | D7 | D6 | D5 | D4 | D3 | D2 | D1 | D0 |
|------|---------------|------------|------------|----------|-----|-----|-----|-----|
| Name | SYS_INIT_MASK | LOL_B_MASK | LOL_A_MASK | LOS_MASK | | | | |
| Type | R/W | R/W | R/W | R/W | R/W | R/W | R/W | R/W |

Reset value = 0000 0000

| Bit | Name | Function |
|-----|---------------|---|
| 7 | SYS_INIT_MASK | <p>System Initialization Status Mask.</p> <p>Use this mask bit to prevent the INTR pin (Si5351C only) from going low when SYS_INIT is asserted.</p> <p>0: Do not mask the SYS_INIT interrupt.</p> <p>1: Mask the SYS_INIT interrupt.</p> |
| 6 | LOL_B_MASK | <p>PLL B Loss Of Lock Status Mask.</p> <p>Use this mask bit to prevent the INTR pin (Si5351C only) from going low when LOL_B is asserted.</p> <p>0: Do not mask the LOL_B interrupt.</p> <p>1: Mask the LOL_B interrupt.</p> |
| 5 | LOL_A_MASK | <p>PLL A Loss Of Lock Status Mask.</p> <p>Use this mask bit to prevent the INTR pin (Si5351C only) from going low when LOL_A is asserted.</p> <p>0: Do not mask the LOL_A interrupt.</p> <p>1: Mask the LOL_A interrupt.</p> |
| 4 | LOS_MASK | <p>CLKIN Loss Of Signal Mask (Si5351C Only).</p> <p>Use this mask bit to prevent the INTR pin (Si5351C only) from going low when LOS is asserted.</p> <p>0: Do not mask the LOS interrupt.</p> <p>1: Mask the LOS interrupt.</p> |
| 3:0 | Reserved | Leave as default. |

Register 3. Output Enable Control

| Bit | D7 | D6 | D5 | D4 | D3 | D2 | D1 | D0 |
|------|----------|----------|----------|----------|----------|----------|----------|----------|
| Name | CLK7_OEB | CLK6_OEB | CLK5_OEB | CLK4_OEB | CLK3_OEB | CLK2_OEB | CLK1_OEB | CLK0_OEB |
| Type | R/W | R/W | R/W | R/W | R/W | R/W | R/W | R/W |

Reset value = 0000 0000

| Bit | Name | Function |
|-----|----------|--|
| 7:0 | CLKx_OEB | Output Disable for CLKx. Where x = 0, 1, 2, 3, 4, 5, 6, 7 0: Enable CLKx output. 1: Disable CLKx output. |

Register 9. OEB Pin Enable Control Mask

| Bit | D7 | D6 | D5 | D4 | D3 | D2 | D1 | D0 |
|------|---------------|---------------|---------------|---------------|---------------|---------------|---------------|---------------|
| Name | OEB_MAS K7 | OEB_MAS K6 | OEB_MAS K5 | OEB_MAS K4 | OEB_MAS K3 | OEB_MAS K2 | OEB_MAS K1 | OEB_MAS K0 |
| Type | R/W | R/W | R/W | R/W | R/W | R/W | R/W | R/W |

Reset value = 0000 0000

| Bit | Name | Function |
|-----|----------|--|
| 7:0 | OEB_CLKx | OEB pin enable control of CLKx. Where x = 0, 1, 2, 3, 4, 5, 6, 7 0: OEB pin controls enable/disable state of CLKx output. 1: OEB pin does not control enable/disable state of CLKx output. |

AN619

Register 15. PLL Input Source

| Bit | D7 | D6 | D5 | D4 | D3 | D2 | D1 | D0 |
|------|----------------|-----|-----|-----|----------|----------|-----|-----|
| Name | CLKIN_DIV[1:0] | | | | PLLB_SRC | PLLA_SRC | | |
| Type | R/W | R/W | R/W | R/W | R/W | R/W | R/W | R/W |

Reset value = 0000 0000

| Bit | Name | Function |
|-----|----------------|---|
| 7:6 | CLKIN_DIV[1:0] | CLKIN Input Divider. Valid PLL input range is 10-40 MHz. If CLKIN is > 40 MHz, CLKIN input divider, CLKIN_DIV, must be used to bring the PLL input within the 10-40 MHz range. 00b: Divide by 1. 01b: Divide by 2. 10b: Divide by 4. 11b: Divide by 8. |
| 5:4 | Reserved | Leave as default. |
| 3 | PLLB_SRC | Input Source Select for PLLB. 0: Select the XTAL input as the reference clock for PLLB. 1: Select the CLKIN input as the reference clock for PLLB (Si5351C only). |
| 2 | PLLA_SRC | Input Source Select for PLLA. 0: Select the XTAL input as the reference clock for PLLA. 1: Select the CLKIN input as the reference clock for PLLA (Si5351C only). |
| 1:0 | Reserved | Leave as default. |

Register 16. CLK0 Control

| Bit | D7 | D6 | D5 | D4 | D3 | D2 | D1 | D0 |
|------|----------|---------|---------|----------|---------------|----|----------------|----|
| Name | CLK0_PDN | MS0_INT | MS0_SRC | CLK0_INV | CLK0_SRC[1:0] | | CLK0_IDRV[1:0] | |
| Type | R/W | R/W | R/W | R/W | R/W | | R/W | |

Reset value = 0000 0000

| Bit | Name | Function |
|-----|----------------|---|
| 7 | CLK0_PDN | Clock 0 Power Down. This bit allows powering down the CLK0 output driver to conserve power when the output is unused. 0: CLK0 is powered up. 1: CLK0 is powered down. |
| 6 | MS0_INT | MultiSynth 0 Integer Mode. This bit can be used to force MS0 into Integer mode to improve jitter performance. Note that the fractional mode is necessary when a delay offset is specified for CLK0. 0: MS0 operates in fractional division mode. 1: MS0 operates in integer mode. |
| 5 | MS0_SRC | MultiSynth Source Select for CLK0. 0: Select PLLA as the source for MultiSynth0. 1: Select PLLB (Si5351A/C only) or VCXO (Si5351B only) MultiSynth0. |
| 4 | CLK0_INV | Output Clock 0 Invert. 0: Output Clock 0 is not inverted. 1: Output Clock 0 is inverted. |
| 3:2 | CLK0_SRC[1:0] | Output Clock 0 Input Source. These bits determine the input source for CLK0. 00: Select the XTAL as the clock source for CLK0. This option by-passes both synthesis stages (PLL/VCXO & MultiSynth) and connects CLK0 directly to the oscillator which generates an output frequency determined by the XTAL frequency. 01: Select CLKIN as the clock source for CLK0. This by-passes both synthesis stages (PLL/VCXO & MultiSynth) and connects CLK0 directly to the CLKIN input. This essentially creates a buffered output of the CLKIN input. 10: Reserved. Do not select this option. 11: Select MultiSynth 0 as the source for CLK0. Select this option when using the Si5351 to generate free-running or synchronous clocks. |
| 1:0 | CLK0_IDRV[1:0] | CLK0 Output Rise and Fall time / Drive Strength Control. 00: 2 mA 01: 4 mA 10: 6 mA 11: 8 mA |

AN619

Register 17. CLK1 Control

| Bit | D7 | D6 | D5 | D4 | D3 | D2 | D1 | D0 |
|------|----------|---------|---------|----------|---------------|----|----------------|----|
| Name | CLK1_PDN | MS1_INT | MS1_SRC | CLK1_INV | CLK1_SRC[1:0] | | CLK1_IDRV[1:0] | |
| Type | R/W | R/W | R/W | R/W | R/W | | R/W | |

Reset value = 0000 0000

| Bit | Name | Function |
|-----|----------------|---|
| 7 | CLK1_PDN | <p>Clock 1 Power Down.</p> <p>This bit allows powering down the CLK1 output driver to conserve power when the output is unused.</p> <p>0: CLK1 is powered up.</p> <p>1: CLK1 is powered down.</p> |
| 6 | MS1_INT | <p>MultiSynth 1 Integer Mode.</p> <p>When the MS1 divider is an even integer, this bit can be used to force MS1 into integer mode to improve jitter performance. Not valid for odd integers. Note that the fractional mode is necessary when a delay offset is specified for CLK1.</p> <p>0: MS1 operates in fractional division mode.</p> <p>1: MS1 operates in integer mode.</p> |
| 5 | MS1_SRC | <p>MultiSynth Source Select for CLK1.</p> <p>0: Select PLLA as the source for MultiSynth0.</p> <p>1: Select PLLB (Si5351A/C only) or VCXO (Si5351B only) MultiSynth0.</p> |
| 4 | CLK1_INV | <p>Output Clock 1 Invert.</p> <p>0: Output Clock 1 is not inverted.</p> <p>1: Output Clock 1 is inverted.</p> |
| 3:2 | CLK1_SRC[1:0] | <p>Output Clock 1 Input Source.</p> <p>These bits determine the input source for CLK1.</p> <p>00: Select the XTAL as the clock source for CLK1. This option by-passes both synthesis stages (PLL/VCXO & MultiSynth) and connects CLK1 directly to the oscillator which generates an output frequency determined by the XTAL frequency.</p> <p>01: Select CLKIN as the clock source for CLK1. This by-passes both synthesis stages (PLL/VCXO & MultiSynth) and connects CLK1 directly to the CLKIN input. This essentially creates a buffered output of the CLKIN input.</p> <p>10: Select Multisynth 0 as the source for CLK1.</p> <p>11: Select MultiSynth 1 as the source for CLK1. Select this option when using the Si5351 to generate free-running or synchronous clocks.</p> |
| 1:0 | CLK1_IDRV[1:0] | <p>CLK1 Output Rise and Fall time / Drive Strength Control.</p> <p>00: 2 mA</p> <p>01: 4 mA</p> <p>10: 6 mA</p> <p>11: 8 mA</p> |

Register 18. CLK2 Control

| Bit | D7 | D6 | D5 | D4 | D3 | D2 | D1 | D0 |
|------|----------|---------|---------|----------|---------------|----|----------------|----|
| Name | CLK2_PDN | MS2_INT | MS2_SRC | CLK2_INV | CLK2_SRC[1:0] | | CLK2_IDRV[1:0] | |
| Type | R/W | R/W | R/W | R/W | R/W | | R/W | |

Reset value = 0000 0000

| Bit | Name | Function |
|-----|----------------|---|
| 7 | CLK2_PDN | <p>Clock 2 Power Down.</p> <p>This bit allows powering down the CLK2 output driver to conserve power when the output is unused.</p> <p>0: CLK2 is powered up.</p> <p>1: CLK2 is powered down.</p> |
| 6 | MS2_INT | <p>MultiSynth 2 Integer Mode.</p> <p>When the MS2 divider is an even integer, this bit can be used to force MS2 into integer mode to improve jitter performance. Not valid for odd integers. Note that the fractional mode is necessary when a delay offset is specified for CLK2.</p> <p>0: MS2 operates in fractional division mode.</p> <p>1: MS2 operates in integer mode.</p> |
| 5 | MS2_SRC | <p>MultiSynth Source Select for CLK2.</p> <p>0: Select PLLA as the source for MultiSynth0.</p> <p>1: Select PLLB (Si5351A/C only) or VCXO (Si5351B only) MultiSynth2.</p> |
| 4 | CLK2_INV | <p>Output Clock 2 Invert.</p> <p>0: Output Clock 2 is not inverted.</p> <p>1: Output Clock 2 is inverted.</p> |
| 3:2 | CLK2_SRC[1:0] | <p>Output Clock 2 Input Source.</p> <p>These bits determine the input source for CLK2.</p> <p>00: Select the XTAL as the clock source for CLK2. This option by-passes both synthesis stages (PLL/VCXO & MultiSynth) and connects CLK2 directly to the oscillator which generates an output frequency determined by the XTAL frequency.</p> <p>01: Select CLKIN as the clock source for CLK2. This by-passes both synthesis stages (PLL/VCXO & MultiSynth) and connects CLK2 directly to the CLKIN input. This essentially creates a buffered output of the CLKIN input.</p> <p>10: Select MultiSynth 0 as the source for CLK2.</p> <p>11: Select MultiSynth 2 as the source for CLK2. Select this option when using the Si5351 to generate free-running or synchronous clocks.</p> |
| 1:0 | CLK2_IDRV[1:0] | <p>CLK2 Output Rise and Fall time / Drive Strength Control.</p> <p>00: 2 mA</p> <p>01: 4 mA</p> <p>10: 6 mA</p> <p>11: 8 mA</p> |

AN619

Register 19. CLK3 Control

| Bit | D7 | D6 | D5 | D4 | D3 | D2 | D1 | D0 |
|------|----------|---------|---------|----------|---------------|----|----------------|----|
| Name | CLK3_PDN | MS3_INT | MS3_SRC | CLK3_INV | CLK3_SRC[1:0] | | CLK3_IDRV[1:0] | |
| Type | R/W | R/W | R/W | R/W | R/W | | R/W | |

Reset value = 0000 0000

| Bit | Name | Function |
|-----|----------------|--|
| 7 | CLK3_PDN | <p>Clock 3 Power Down.</p> <p>This bit allows powering down the CLK3 output driver to conserve power when the output is unused.</p> <p>0: CLK3 is powered up.</p> <p>1: CLK3 is powered down.</p> |
| 6 | MS3_INT | <p>MultiSynth 3 Integer Mode.</p> <p>When the MS3 divider is an even integer, this bit can be used to force MS3 into integer mode to improve jitter performance. Not valid for odd integers. Note that the fractional mode is necessary when a delay offset is specified for CLK3.</p> <p>0: MS3 operates in fractional division mode.</p> <p>1: MS3 operates in integer mode.</p> |
| 5 | MS3_SRC | <p>MultiSynth Source Select for CLK3.</p> <p>0: Select PLLA as the source for MultiSynth0.</p> <p>1: Select PLLB (Si5351A/C only) or VCXO (Si5351B only) MultiSynth3.</p> |
| 4 | CLK3_INV | <p>Output Clock 3 Invert.</p> <p>0: Output Clock 3 is not inverted.</p> <p>1: Output Clock 3 is inverted.</p> |
| 3:2 | CLK3_SRC[1:0] | <p>Output Clock 3 Input Source.</p> <p>These bits determine the input source for CLK3.</p> <p>00: Select the XTAL as the clock source for CLK3. This option by-passes both synthesis changes (PCL/VCXO and Multisynth) and connects CLK3 directly to the oscillator which generates an output frequency determined by the XTAL frequency.</p> <p>01: Select CLKIN as the clock source for CLK3. This by-passes both synthesis stages (PLL/VCXO and Multisynth) and connects CLK3 directly to the CLKIN input. This essentially creates a buffered output of the CLKIN input.</p> <p>10: Select Multisynth 0 as the source for CLK3.</p> <p>11: Select Multisynth 3 as the source for CLK3. Select this option when using the Si5351 to generate free-running or synchronous clocks.</p> |
| 1:0 | CLK3_IDRV[1:0] | <p>CLK3 Output Rise and Fall time / Drive Strength Control.</p> <p>00: 2 mA</p> <p>01: 4 mA</p> <p>10: 6 mA</p> <p>11: 8 mA</p> |

Register 20. CLK4 Control

| Bit | D7 | D6 | D5 | D4 | D3 | D2 | D1 | D0 |
|------|----------|---------|---------|----------|---------------|----|----------------|----|
| Name | CLK4_PDN | MS4_INT | MS4_SRC | CLK4_INV | CLK4_SRC[1:0] | | CLK4_IDRV[1:0] | |
| Type | R/W | R/W | R/W | R/W | R/W | | R/W | |

Reset value = 0000 0000

| Bit | Name | Function |
|-----|----------------|--|
| 7 | CLK4_PDN | <p>Clock 4 Power Down.</p> <p>This bit allows powering down the CLK4 output driver to conserve power when the output is unused.</p> <p>0: CLK4 is powered up.</p> <p>1: CLK4 is powered down.</p> |
| 6 | MS4_INT | <p>MultiSynth 4 Integer Mode.</p> <p>When the MS4 divider is an even integer, this bit can be used to force MS4 into integer mode to improve jitter performance. Not valid for odd integers. Note that the fractional mode is necessary when a delay offset is specified for CLK4.</p> <p>0: MS4 operates in fractional division mode.</p> <p>1: MS4 operates in integer mode.</p> |
| 5 | MS4_SRC | <p>MultiSynth Source Select for CLK4.</p> <p>0: Select PLLA as the source for MultiSynth0.</p> <p>1: Select PLLB (Si5351A/C only) or VCXO (Si5351B only) MultiSynth4.</p> |
| 4 | CLK4_INV | <p>Output Clock 4 Invert.</p> <p>0: Output Clock 4 is not inverted.</p> <p>1: Output Clock 4 is inverted.</p> |
| 3:2 | CLK4_SRC[1:0] | <p>Output Clock 4 Input Source.</p> <p>These bits determine the input source for CLK4.</p> <p>00: Select the XTAL as the clock source for CLK4. This option by-passes both synthesis stages (PLL/VCXO & MultiSynth) and connects CLK4 directly to the oscillator which generates an output frequency determined by the XTAL frequency.</p> <p>01: Select CLKIN as the clock source for CLK4. This by-passes both synthesis stages (PLL/VCXO & MultiSynth) and connects CLK4 directly to the CLKIN input. This essentially creates a buffered output of the CLKIN input.</p> <p>10: Reserved. Do not select this option.</p> <p>11: Select MultiSynth 4 as the source for CLK4. Select this option when using the Si5351 to generate free-running or synchronous clocks.</p> |
| 1:0 | CLK4_IDRV[1:0] | <p>CLK4 Output Rise and Fall time / Drive Strength Control.</p> <p>00: 2 mA</p> <p>01: 4 mA</p> <p>10: 6 mA</p> <p>11: 8 mA</p> |

AN619

Register 21. CLK5 Control

| Bit | D7 | D6 | D5 | D4 | D3 | D2 | D1 | D0 |
|------|----------|---------|---------|----------|---------------|----|----------------|----|
| Name | CLK5_PDN | MS5_INT | MS5_SRC | CLK5_INV | CLK5_SRC[1:0] | | CLK5_IDRV[1:0] | |
| Type | R/W | R/W | R/W | R/W | R/W | | R/W | |

Reset value = 0000 0000

| Bit | Name | Function |
|-----|----------------|---|
| 7 | CLK5_PDN | <p>Clock 5 Power Down.</p> <p>This bit allows powering down the CLK5 output driver to conserve power when the output is unused.</p> <p>0: CLK4 is powered up.</p> <p>1: CLK4 is powered down.</p> |
| 6 | MS5_INT | <p>MultiSynth 5 Integer Mode.</p> <p>When the MS5 divider is an even integer, this bit can be used to force MS5 into integer mode to improve jitter performance. Not valid for odd integers. Note that the fractional mode is necessary when a delay offset is specified for CLK5.</p> <p>0: MS5 operates in fractional division mode.</p> <p>1: MS5 operates in integer mode.</p> |
| 5 | MS5_SRC | <p>MultiSynth Source Select for CLK5.</p> <p>0: Select PLLA as the source for MultiSynth0.</p> <p>1: Select PLLB (Si5351A/C only) or VCXO (Si5351B only) MultiSynth5.</p> |
| 4 | CLK5_INV | <p>Output Clock 5 Invert.</p> <p>0: Output Clock 5 is not inverted.</p> <p>1: Output Clock 5 is inverted.</p> |
| 3:2 | CLK5_SRC[1:0] | <p>Output Clock 5 Input Source.</p> <p>These bits determine the input source for CLK5.</p> <p>00: Select the XTAL as the clock source for CLK5. This option by-passes both synthesis stages (PLL/VCXO & MultiSynth) and connects CLK5 directly to the oscillator which generates an output frequency determined by the XTAL frequency.</p> <p>01: Select CLKIN as the clock source for CLK5. This by-passes both synthesis stages (PLL/VCXO & MultiSynth) and connects CLK5 directly to the CLKIN input. This essentially creates a buffered output of the CLKIN input.</p> <p>10: Select Multisynth 4 as the source for CLK5.</p> <p>11: Select MultiSynth 5 as the source for CLK5. Select this option when using the Si5351 to generate free-running or synchronous clocks.</p> |
| 1:0 | CLK5_IDRV[1:0] | <p>CLK5 Output Rise and Fall time / Drive Strength Control.</p> <p>00: 2 mA</p> <p>01: 4 mA</p> <p>10: 6 mA</p> <p>11: 8 mA</p> |

Register 22. CLK6 Control

| Bit | D7 | D6 | D5 | D4 | D3 | D2 | D1 | D0 |
|------|----------|---------|---------|----------|---------------|----|----------------|----|
| Name | CLK6_PDN | FBA_INT | MS6_SRC | CLK6_INV | CLK6_SRC[1:0] | | CLK6_IDRV[1:0] | |
| Type | R/W | R/W | R/W | R/W | R/W | | R/W | |

Reset value = 0000 0000

| Bit | Name | Function |
|-----|----------------|--|
| 7 | CLK6_PDN | Clock 7 Power Down. This bit allows powering down the CLK6 output driver to conserve power when the output is unused. 0: CLK6 is powered up. 1: CLK6 is powered down. |
| 6 | FBA_INT | FBA MultiSynth Integer Mode. This bit can be used to force Feedback A Multisynth into Integer mode to improve jitter performance. Note that the fractional mode is necessary when spread spectrum is specified for any output clocks. 0: MSNA operates in fractional division mode. 1: MSNA operates in integer mode. |
| 5 | MS6_SRC | MultiSynth Source Select for CLK6. 0: Select PLLA as the source for MultiSynth0. 1: Select PLLB (Si5351A/C only) or VCXO (Si5351B only) MultiSynth6. |
| 4 | CLK6_INV | Output Clock 6 Invert. 0: Output Clock 6 is not inverted. 1: Output Clock 6 is inverted. |
| 3:2 | CLK6_SRC[1:0] | Output Clock 0 Input Source. These bits determine the input source for CLK6. 00: Select the XTAL as the clock source for CLK6. This option by-passes both synthesis stages (PLL/VCXO & MultiSynth) and connects CLK6 directly to the oscillator which generates an output frequency determined by the XTAL frequency. 01: Select CLKIN as the clock source for CLK6. This by-passes both synthesis stages (PLL/VCXO & MultiSynth) and connects CLK6 directly to the CLKIN input. This essentially creates a buffered output of the CLKIN input. 10: Select Multisynth 4 as the source for CLK6. 11: Select MultiSynth 6 as the source for CLK6. Select this option when using the Si5351 to generate free-running or synchronous clocks. |
| 1:0 | CLK6_IDRV[1:0] | CLK6 Output Rise and Fall time / Drive Strength Control. 00: 2 mA 01: 4 mA 10: 6 mA 11: 8 mA |

AN619

Register 23. CLK7 Control

| Bit | D7 | D6 | D5 | D4 | D3 | D2 | D1 | D0 |
|------|----------|---------|---------|----------|---------------|----|----------------|----|
| Name | CLK7_PDN | FBB_INT | MS7_SRC | CLK7_INV | CLK7_SRC[1:0] | | CLK7_IDRV[1:0] | |
| Type | R/W | R/W | R/W | R/W | R/W | | R/W | |

Reset value = 0000 0000

| Bit | Name | Function |
|-----|----------------|---|
| 7 | CLK7_PDN | <p>Clock 7 Power Down.</p> <p>This bit allows powering down the CLK7 output driver to conserve power when the output is unused.</p> <p>0: CLK7 is powered up.</p> <p>1: CLK7 is powered down.</p> |
| 6 | FBB_INT | <p>FBB MultiSynth Integer Mode.</p> <p>This bit can be used to force Feedback B into Integer mode to improve jitter performance.</p> <p>0: MSNB operates in fractional division mode.</p> <p>1: MSNB operates in integer mode.</p> |
| 5 | MS7_SRC | <p>MultiSynth Source Select for CLK7.</p> <p>0: Select PLLA as the source for MultiSynth0.</p> <p>1: Select PLLB (Si5351A/C only) or VCXO (Si5351B only) MultiSynth0.</p> |
| 4 | CLK7_INV | <p>Output Clock 7 Invert.</p> <p>0: Output Clock 7 is not inverted.</p> <p>1: Output Clock 7 is inverted.</p> |
| 3:2 | CLK7_SRC[1:0] | <p>Output Clock 0 Input Source.</p> <p>These bits determine the input source for CLK7.</p> <p>00: Select the XTAL as the clock source for CLK7. This option by-passes both synthesis stages (PLL/VCXO & MultiSynth) and connects CLK7 directly to the oscillator which generates an output frequency determined by the XTAL frequency.</p> <p>01: Select CLKIN as the clock source for CLK7. This by-passes both synthesis stages (PLL/VCXO & MultiSynth) and connects CLK7 directly to the CLKIN input. This essentially creates a buffered output of the CLKIN input.</p> <p>10: Select Multisynth 4 as the source for CLK7.</p> <p>11: Select MultiSynth 7 as the source for CLK7. Select this option when using the Si5351 to generate free-running or synchronous clocks.</p> |
| 1:0 | CLK7_IDRV[1:0] | <p>CLK7 Output Rise and Fall time / Drive Strength Control.</p> <p>00: 2 mA</p> <p>01: 4 mA</p> <p>10: 6 mA</p> <p>11: 8 mA</p> |

Register 24. CLK3–0 Disable State

| Bit | D7 | D6 | D5 | D4 | D3 | D2 | D1 | D0 |
|------|----------------|----|----------------|----|----------------|----|----------------|----|
| Name | CLK3_DIS_STATE | | CLK2_DIS_STATE | | CLK1_DIS_STATE | | CLK0_DIS_STATE | |
| Type | R/W | | R/W | | R/W | | R/W | |

Reset value = 0000 0000

| Bit | Name | Function |
|-----|----------------|--|
| 7:0 | CLKx_DIS_STATE | <p>Clock x Disable State.</p> <p>Where x = 0, 1, 2, 3. These 2 bits determine the state of the CLKx output when disabled. Individual output clocks can be disabled using register <i>Output Enable Control</i> located at address 3. Outputs are also disabled using the OEB pin.</p> <p>00: CLKx is set to a LOW state when disabled.</p> <p>01: CLKx is set to a HIGH state when disabled.</p> <p>10: CLKx is set to a HIGH IMPEDANCE state when disabled.</p> <p>11: CLKx is NEVER DISABLED.</p> |

Register 25. CLK7–4 Disable State

| Bit | D7 | D6 | D5 | D4 | D3 | D2 | D1 | D0 |
|------|----------------|----|----------------|----|----------------|----|----------------|----|
| Name | CLK7_DIS_STATE | | CLK6_DIS_STATE | | CLK5_DIS_STATE | | CLK4_DIS_STATE | |
| Type | R/W | | R/W | | R/W | | R/W | |

Reset value = 0000 0000

| Bit | Name | Function |
|-----|----------------|--|
| 7:0 | CLKx_DIS_STATE | <p>Clock x Disable State.</p> <p>Where x = 4, 5, 6, 7. These 2 bits determine the state of the CLKx output when disabled. Individual output clocks can be disabled using register <i>Output Enable Control</i> located at address 3. Outputs are also disabled using the OEB pin.</p> <p>00: CLKx is set to a LOW state when disabled.</p> <p>01: CLKx is set to a HIGH state when disabled.</p> <p>10: CLKx is set to a HIGH IMPEDANCE state when disabled.</p> <p>11: CLKx is NEVER DISABLED.</p> |

AN619

Register 26. Multisynth NA Parameters

| Bit | D7 | D6 | D5 | D4 | D3 | D2 | D1 | D0 |
|------|---------------|----|----|----|----|----|----|----|
| Name | MSNA_P3[15:8] | | | | | | | |
| Type | R/W | | | | | | | |

Reset value = xxxx xxxx

| Bit | Name | Function |
|-----|---------------|--|
| 7:0 | MSNA_P3[15:8] | Multisynth NA Parameter 3. This 20-bit number is an encoded representation of the denominator for the fractional part of the PLLA Feedback Multisynth Divider. |

Register 27. Multisynth NA Parameters

| Bit | D7 | D6 | D5 | D4 | D3 | D2 | D1 | D0 |
|------|--------------|----|----|----|----|----|----|----|
| Name | MSNA_P3[7:0] | | | | | | | |
| Type | R/W | | | | | | | |

Reset value = xxxx xxxx

| Bit | Name | Function |
|-----|--------------|--|
| 7:0 | MSNA_P3[7:0] | Multisynth NA Parameter 3. This 20-bit number is an encoded representation of the denominator for the fractional part of the PLLA Feedback Multisynth Divider. |

Register 28. Multisynth NA Parameters

| Bit | D7 | D6 | D5 | D4 | D3 | D2 | D1 | D0 |
|------|--------|----|----|----------|----|----|----------------|----|
| Name | Unused | | | Reserved | | | MSNA_P1[17:16] | |
| Type | R/W | | | | | | | |

Reset value = xxxx xxxx

| Bit | Name | Function |
|-----|----------------|---|
| 7:4 | Unused | Unused. |
| 3:2 | Reserved | Reserved. Leave as default, 0. |
| 1:0 | MSNA_P1[17:16] | Multisynth NA Parameter 1. This 18-bit number is an encoded representation of the integer part of the PLLA Feedback Multisynth divider. |

Register 29. Multisynth NA Parameters

| Bit | D7 | D6 | D5 | D4 | D3 | D2 | D1 | D0 |
|------|---------------|----|----|----|----|----|----|----|
| Name | MSNA_P1[15:8] | | | | | | | |
| Type | R/W | | | | | | | |

Reset value = xxxx xxxx

| Bit | Name | Function |
|-----|---------------|---|
| 7:0 | MSNA_P1[15:8] | Multisynth NA Parameter 1. This 18-bit number is an encoded representation of the integer part of the PLLA Feedback Multisynth divider. |

Register 30. Multisynth NA Parameters

| Bit | D7 | D6 | D5 | D4 | D3 | D2 | D1 | D0 |
|------|--------------|----|----|----|----|----|----|----|
| Name | MSNA_P1[7:0] | | | | | | | |
| Type | R/W | | | | | | | |

Reset value = xxxx xxxx

| Bit | Name | Function |
|-----|--------------|---|
| 7:0 | MSNA_P1[7:0] | Multisynth NA Parameter 1. This 18-bit number is an encoded representation of the integer part of the PLLA Feedback Multisynth divider. |

Register 31. Multisynth NA Parameters

| Bit | D7 | D6 | D5 | D4 | D3 | D2 | D1 | D0 |
|------|----------------|----|----|----|----------------|----|----|----|
| Name | MSNA_P3[19:16] | | | | MSNA_P2[19:16] | | | |
| Type | R/W | | | | | | | |

Reset value = xxxx xxxx

| Bit | Name | Function |
|-----|----------------|--|
| 7:4 | MSNA_P3[19:16] | Multisynth NA Parameter 3. This 20-bit number is an encoded representation of the denominator for the fractional part of the PLLA Feedback Multisynth divider. |
| 3:0 | MSNA_P2[19:16] | Multisynth NA Parameter 2. This 20-bit number is an encoded representation of the numerator for the fractional part of the PLLA Feedback Multisynth divider. |

Register 32. Multisynth NA Parameters

| Bit | D7 | D6 | D5 | D4 | D3 | D2 | D1 | D0 |
|------|----------------|----|----|----|----|----|----|----|
| Name | MSNA_P2[15:18] | | | | | | | |
| Type | R/W | | | | | | | |

Reset value = xxxx xxxx

| Bit | Name | Function |
|-----|----------------|--|
| 7:0 | MSNA_P2[15:18] | Multisynth NA Parameter 2. This 20-bit number is an encoded representation of the numerator for the fractional part of the PLLA Feedback Multisynth divider. |

Register 33. Multisynth NA Parameters

| Bit | D7 | D6 | D5 | D4 | D3 | D2 | D1 | D0 |
|------|--------------|----|----|----|----|----|----|----|
| Name | MSNA_P2[7:0] | | | | | | | |
| Type | R/W | | | | | | | |

Reset value = xxxx xxxx

| Bit | Name | Function |
|-----|--------------|--|
| 7:0 | MSNA_P2[7:0] | Multisynth NA Parameter 2. This 20-bit number is an encoded representation of the numerator for the fractional part of the PLLA Feedback Multisynth divider. |

Register 34. Multisynth NB Parameters

| Bit | D7 | D6 | D5 | D4 | D3 | D2 | D1 | D0 |
|------|---------------|----|----|----|----|----|----|----|
| Name | MSNB_P3[15:8] | | | | | | | |
| Type | R/W | | | | | | | |

Reset value = xxxx xxxx

| Bit | Name | Function |
|-----|---------------|--|
| 7:0 | MSNB_P3[15:8] | Multisynth NA Parameter 3. This 20-bit number is an encoded representation of the denominator for the fractional part of the PLLA Feedback Multisynth divider. |

Register 35. Multisynth NB Parameters

| Bit | D7 | D6 | D5 | D4 | D3 | D2 | D1 | D0 |
|------|--------------|----|----|----|----|----|----|----|
| Name | MSNB_P3[7:0] | | | | | | | |
| Type | R/W | | | | | | | |

Reset value = xxxx xxxx

| Bit | Name | Function |
|-----|--------------|--|
| 7:0 | MSNB_P3[7:0] | Multisynth NB Parameter 3. This 20-bit number is an encoded representation of the denominator for the fractional part of the PLLB Feedback Multisynth divider. |

Register 36. Multisynth NB Parameters

| Bit | D7 | D6 | D5 | D4 | D3 | D2 | D1 | D0 |
|------|--------|----|----|----------|----|----|----------------|----|
| Name | Unused | | | Reserved | | | MSNB_P1[17:16] | |
| Type | R/W | | | | | | | |

Reset value = xxxx xxxx

| Bit | Name | Function |
|-----|----------------|---|
| 7:4 | | Reserved |
| 3:2 | Reserved | Reserved. Leave as default, 0. |
| 1:0 | MSNB_P1[17:16] | Multisynth NB Parameter 1. This 18-bit number is an encoded representation of the integer part for the fractional part of the PLLB Feedback Multisynth divider. |

Register 37. Multisynth NB Parameters

| Bit | D7 | D6 | D5 | D4 | D3 | D2 | D1 | D0 |
|------|---------------|----|----|----|----|----|----|----|
| Name | MSNB_P1[15:8] | | | | | | | |
| Type | R/W | | | | | | | |

Reset value = xxxx xxxx

| Bit | Name | Function |
|-----|---------------|---|
| 7:0 | MSNB_P1[15:8] | Multisynth NB Parameter 1. This 18-bit number is an encoded representation of the integer part of the PLLB Feedback Multisynth divider. |

AN619

Register 38. Multisynth NB Parameters

| Bit | D7 | D6 | D5 | D4 | D3 | D2 | D1 | D0 |
|------|--------------|----|----|----|----|----|----|----|
| Name | MSNB_P1[7:0] | | | | | | | |
| Type | R/W | | | | | | | |

Reset value = xxxx xxxx

| Bit | Name | Function |
|-----|--------------|---|
| 7:0 | MSNB_P1[7:0] | Multisynth NB Parameter 1. This 18-bit number is an encoded representation of the integer part of the PLLB Feedback Multisynth divider. |

Register 39. Multisynth NB Parameters

| Bit | D7 | D6 | D5 | D4 | D3 | D2 | D1 | D0 |
|------|----------------|----|----|----|----------------|----|----|----|
| Name | MSNB_P3[19:16] | | | | MSNB_P2[19:16] | | | |
| Type | R/W | | | | | | | |

Reset value = xxxx xxxx

| Bit | Name | Function |
|-----|----------------|--|
| 7:4 | MSNB_P3[19:16] | Multisynth NB Parameter 3. This 20-bit number is an encoded representation of the denominator for the fractional part of the PLLB Feedback Multisynth divider. |
| 3:0 | MSNB_P2[19:16] | Multisynth NB Parameter 2. This 20-bit number is an encoded representation of the numerator for the fractional part of the PLLB Feedback Multisynth divider. |

Register 40. Multisynth NB Parameters

| Bit | D7 | D6 | D5 | D4 | D3 | D2 | D1 | D0 |
|------|---------------|----|----|----|----|----|----|----|
| Name | MSNB_P2[15:8] | | | | | | | |
| Type | R/W | | | | | | | |

Reset value = xxxx xxxx

| Bit | Name | Function |
|-----|---------------|--|
| 7:0 | MSNB_P2[15:8] | Multisynth NB Parameter 2. This 20-bit number is an encoded representation of the numerator for the fractional part of the PLLB Feedback Multisynth divider. |

Register 41. Multisynth NB Parameters

| Bit | D7 | D6 | D5 | D4 | D3 | D2 | D1 | D0 |
|------|--------------|----|----|----|----|----|----|----|
| Name | MSNB_P2[7:0] | | | | | | | |
| Type | R/W | | | | | | | |

| Bit | Name | Function |
|-----|--------------|--|
| 7:0 | MSNB_P2[7:0] | Multisynth NB Parameter 2. This 20-bit number is an encoded representation of the numerator for the fractional part of the PLLB Feedback Multisynth divider. |

Register 42. Multisynth0 Parameters

| Bit | D7 | D6 | D5 | D4 | D3 | D2 | D1 | D0 |
|------|--------------|----|----|----|----|----|----|----|
| Name | MS0_P3[15:8] | | | | | | | |
| Type | R/W | | | | | | | |

Reset value = xxxx xxxx

| Bit | Name | Function |
|-----|--------------|---|
| 7:0 | MS0_P3[15:8] | Multisynth0 Parameter 3. This 20-bit number is an encoded representation of the denominator for the fractional part of the MultiSynth0 Divider. |

Register 43. Multisynth0 Parameters

| Bit | D7 | D6 | D5 | D4 | D3 | D2 | D1 | D0 |
|------|-------------|----|----|----|----|----|----|----|
| Name | MS0_P3[7:0] | | | | | | | |
| Type | R/W | | | | | | | |

Reset value = xxxx xxxx

| Bit | Name | Function |
|-----|-------------|---|
| 7:0 | MS0_P3[7:0] | Multisynth0 Parameter 3. This 20-bit number is an encoded representation of the denominator for the fractional part of the MultiSynth0 Divider. |

AN619

Register 44. Multisynth0 Parameters

| Bit | D7 | D6 | D5 | D4 | D3 | D2 | D1 | D0 |
|------|-------------|-----|----|-----------------|-----|---------------|-----|----|
| Name | R0_DIV[2:0] | | | MS0_DIVBY4[1:0] | | MS0_P1[17:16] | | |
| Type | R/W | R/W | | | R/W | R/W | R/W | |

Reset value = xxxx xxxx

| Bit | Name | Function |
|-----|-----------------|--|
| 7 | Unused | |
| 6:4 | R0_DIV[2:0] | R0 Output Divider. 000b: Divide by 1 001b: Divide by 2 010b: Divide by 4 011b: Divide by 8 100b: Divide by 16 101b: Divide by 32 110b: Divide by 64 111b: Divide by 128 |
| 3:2 | MS0_DIVBY4[1:0] | MS0 Divide by 4 Enable. 11: Divide by 4 enabled. 00: Divide by a value other than 4. |
| 1:0 | MS0_P1[17:16] | Multisynth0 Parameter 1. This 18-bit number is an encoded representation of the integer part of the Multi-Synth0 divider. |

Register 45. Multisynth0 Parameters

| Bit | D7 | D6 | D5 | D4 | D3 | D2 | D1 | D0 |
|------|--------------|----|----|----|----|----|----|----|
| Name | MS0_P1[15:8] | | | | | | | |
| Type | R/W | | | | | | | |

Reset value = xxxx xxxx

| Bit | Name | Function |
|-----|--------------|---|
| 7:0 | MS0_P1[15:8] | Multisynth0 Parameter 1. This 18-bit number is an encoded representation of the integer part of the Multi-Synth1 divider. |

Register 46. Multisynth0 Parameters

| Bit | D7 | D6 | D5 | D4 | D3 | D2 | D1 | D0 |
|-------------|-------------|----|----|----|----|----|----|----|
| Name | MS0_P1[7:0] | | | | | | | |
| Type | R/W | | | | | | | |

Reset value = xxxx xxxx

| Bit | Name | Function |
|-----|-------------|--|
| 7:0 | MS0_P1[7:0] | Multisynth0 Parameter 1. This 18-bit number is an encoded representation of the integer part of the MultiSynth1 divider. |

Register 47. Multisynth0 Parameters

| Bit | D7 | D6 | D5 | D4 | D3 | D2 | D1 | D0 |
|-------------|---------------|----|----|----|---------------|----|----|----|
| Name | MS0_P3[19:16] | | | | MS0_P2[19:16] | | | |
| Type | R/W | | | | R/W | | | |

Reset value = xxxx xxxx

| Bit | Name | Function |
|-----|---------------|--|
| 7:4 | MS0_P3[19:16] | Multisynth0 Parameter 3. This 20-bit number is an encoded representation of the denominator for the fractional part of the MultiSynth0 Divider |
| 3:0 | MS0_P2[19:16] | Multisynth0 Parameter 2. This 20-bit number is an encoded representation of the numerator for the fractional part of the MultiSynth1 Divider. |

Register 48. Multisynth0 Parameters

| Bit | D7 | D6 | D5 | D4 | D3 | D2 | D1 | D0 |
|-------------|--------------|----|----|----|----|----|----|----|
| Name | MS0_P2[15:8] | | | | | | | |
| Type | R/W | | | | | | | |

Reset value = xxxx xxxx

| Bit | Name | Function |
|-----|--------------|---|
| 7:0 | MS0_P2[15:8] | Multisynth0 Parameter 2. This 20-bit number is an encoded representation of the numerator for the fractional part of the MultiSynth1 Divider. |

AN619

Register 49. Multisynth0 Parameters

| Bit | D7 | D6 | D5 | D4 | D3 | D2 | D1 | D0 |
|------|-------------|----|----|----|----|----|----|----|
| Name | MS0_P2[7:0] | | | | | | | |
| Type | R/W | | | | | | | |

Reset value = xxxx xxxx

| Bit | Name | Function |
|-----|-------------|---|
| 7:0 | MS0_P2[7:0] | Multisynth0 Parameter 2. This 20-bit number is an encoded representation of the numerator for the fractional part of the MultiSynth1 Divider. |

Register 50. Multisynth1 Parameters

| Bit | D7 | D6 | D5 | D4 | D3 | D2 | D1 | D0 |
|------|--------------|----|----|----|----|----|----|----|
| Name | MS1_P3[15:8] | | | | | | | |
| Type | R/W | | | | | | | |

Reset value = xxxx xxxx

| Bit | Name | Function |
|-----|--------------|---|
| 7:0 | MS1_P3[15:8] | Multisynth1 Parameter 3. This 20-bit number is an encoded representation of the denominator for the fractional part of the MultiSynth1 Divider. |

Register 51. Multisynth1 Parameters

| Bit | D7 | D6 | D5 | D4 | D3 | D2 | D1 | D0 |
|------|-------------|----|----|----|----|----|----|----|
| Name | MS1_P3[7:0] | | | | | | | |
| Type | R/W | | | | | | | |

Reset value = xxxx xxxx

| Bit | Name | Function |
|-----|-------------|---|
| 7:0 | MS1_P3[7:0] | Multisynth1 Parameter 3. This 20-bit number is an encoded representation of the denominator for the fractional part of the MultiSynth1 Divider. |

Register 52. Multisynth1 Parameters

| Bit | D7 | D6 | D5 | D4 | D3 | D2 | D1 | D0 |
|-------------|-----|-------------|----|----|-----------------|-----|---------------|----|
| Name | | R1_DIV[2:0] | | | MS1_DIVBY4[1:0] | | MS1_P1[17:16] | |
| Type | R/W | R/W | | | R/W | R/W | R/W | |

Reset value = xxxx xxxx

| Bit | Name | Function |
|-----|-----------------|--|
| 7 | Unused | |
| 6:4 | R1_DIV[2:0] | R1 Output Divider. 000b: Divide by 1 001b: Divide by 2 010b: Divide by 4 011b: Divide by 8 100b: Divide by 16 101b: Divide by 32 110b: Divide by 64 111b: Divide by 128 |
| 3:2 | MS1_DIVBY4[1:0] | MS1 Divide by 4 Enable. 11: Divide by 4 enabled. 00: Divide by a value other than 4. |
| 1:0 | MS1_P1[17:16] | Multisynth1 Parameter 1. This 18-bit number is an encoded representation of the integer part of the Multi-Synth1 divider. |

Register 53. Multisynth1 Parameters

| Bit | D7 | D6 | D5 | D4 | D3 | D2 | D1 | D0 |
|-------------|--------------|----|----|----|----|----|----|----|
| Name | MS1_P1[15:8] | | | | | | | |
| Type | R/W | | | | | | | |

Reset value = xxxx xxxx

| Bit | Name | Function |
|-----|--------------|---|
| 7:0 | MS1_P1[15:8] | Multisynth1 Parameter 1. This 18-bit number is an encoded representation of the integer part of the Multi-Synth1 divider. |

AN619

Register 54. Multisynth1 Parameters

| Bit | D7 | D6 | D5 | D4 | D3 | D2 | D1 | D0 |
|------|-------------|----|----|----|----|----|----|----|
| Name | MS1_P1[7:0] | | | | | | | |
| Type | R/W | | | | | | | |

Reset value = xxxx xxxx

| Bit | Name | Function |
|-----|-------------|---|
| 7:0 | MS1_P1[7:0] | Multisynth1 Parameter 1. This 18-bit number is an encoded representation of the integer part of the Multi-Synth1 divider. |

Register 55. Multisynth1 Parameters

| Bit | D7 | D6 | D5 | D4 | D3 | D2 | D1 | D0 |
|------|---------------|----|----|----|---------------|----|----|----|
| Name | MS1_P3[19:16] | | | | MS1_P2[19:16] | | | |
| Type | R/W | | | | R/W | | | |

Reset value = xxxx xxxx

| Bit | Name | Function |
|-----|---------------|--|
| 7:4 | MS1_P3[19:16] | Multisynth1 Parameter 3. This 20-bit number is an encoded representation of the denominator for the fractional part of the Multisynth1 Divider |
| 3:0 | MS1_P2[19:16] | Multisynth1 Parameter 2. This 20-bit number is an encoded representation of the numerator for the fractional part of the MultiSynth1 Divider. |

Register 56. Multisynth1 Parameters

| Bit | D7 | D6 | D5 | D4 | D3 | D2 | D1 | D0 |
|------|--------------|----|----|----|----|----|----|----|
| Name | MS1_P2[15:8] | | | | | | | |
| Type | R/W | | | | | | | |

Reset value = xxxx xxxx

| Bit | Name | Function |
|-----|--------------|---|
| 7:0 | MS1_P2[15:8] | Multisynth1 Parameter 2. This 20-bit number is an encoded representation of the numerator for the fractional part of the MultiSynth1 divider. |

Register 57. Multisynth1 Parameters

| Bit | D7 | D6 | D5 | D4 | D3 | D2 | D1 | D0 |
|-------------|-------------|----|----|----|----|----|----|----|
| Name | MS1_P2[7:0] | | | | | | | |
| Type | R/W | | | | | | | |

Reset value = xxxx xxxx

| Bit | Name | Function |
|-----|-------------|---|
| 7:0 | MS1_P2[7:0] | Multisynth1 Parameter 2. This 20-bit number is an encoded representation of the numerator for the fractional part of the MultiSynth1 divider. |

Register 58. Multisynth2 Parameters

| Bit | D7 | D6 | D5 | D4 | D3 | D2 | D1 | D0 |
|-------------|--------------|----|----|----|----|----|----|----|
| Name | MS2_P3[15:8] | | | | | | | |
| Type | R/W | | | | | | | |

Reset value = xxxx xxxx

| Bit | Name | Function |
|-----|--------------|---|
| 7:0 | MS2_P3[15:8] | Multisynth2 Parameter 3. This 20-bit number is an encoded representation of the denominator for the fractional part of the MultiSynth2 divider. |

Register 59. Multisynth2 Parameters

| Bit | D7 | D6 | D5 | D4 | D3 | D2 | D1 | D0 |
|-------------|-------------|----|----|----|----|----|----|----|
| Name | MS2_P3[7:0] | | | | | | | |
| Type | R/W | | | | | | | |

Reset value = xxxx xxxx

| Bit | Name | Function |
|-----|-------------|---|
| 7:0 | MS2_P3[7:0] | Multisynth2 Parameter 3. This 20-bit number is an encoded representation of the denominator for the fractional part of the MultiSynth2 divider. |

AN619

Register 60. Multisynth2 Parameters

| Bit | D7 | D6 | D5 | D4 | D3 | D2 | D1 | D0 |
|------|-----|-------------|----|----|-----------------|-----|---------------|----|
| Name | | R2_DIV[2:0] | | | MS2_DIVBY4[1:0] | | MS2_P1[17:16] | |
| Type | R/W | R/W | | | R/W | R/W | R/W | |

Reset value = xxxx xxxx

| Bit | Name | Function |
|-----|-----------------|--|
| 7 | Unused | |
| 6:4 | R2_DIV[2:0] | R2 Output Divider. 000b: Divide by 1 001b: Divide by 2 010b: Divide by 4 011b: Divide by 8 100b: Divide by 16 101b: Divide by 32 110b: Divide by 64 111b: Divide by 128 |
| 3:2 | MS2_DIVBY4[1:0] | MS2 Divide by 4 Enable. 11: Divide by 4 enabled. 00: Divide by a value other than 4. |
| 1:0 | MS2_P1[17:16] | Multisynth2 Parameter 1. This 18-bit number is an encoded representation of the integer part of the Multisynth2 divider. |

Register 61. Multisynth2 Parameters

| Bit | D7 | D6 | D5 | D4 | D3 | D2 | D1 | D0 |
|------|--------------|----|----|----|----|----|----|----|
| Name | MS2_P1[15:8] | | | | | | | |
| Type | R/W | | | | | | | |

Reset value = xxxx xxxx

| Bit | Name | Function |
|-----|--------------|--|
| 7:0 | MS2_P1[15:8] | Multisynth2 Parameter 1. This 18-bit number is an encoded representation of the integer part of the Multisynth2 divider. |

Register 62. Multisynth2 Parameters

| Bit | D7 | D6 | D5 | D4 | D3 | D2 | D1 | D0 |
|-------------|-------------|----|----|----|----|----|----|----|
| Name | MS2_P1[7:0] | | | | | | | |
| Type | R/W | | | | | | | |

Reset value = xxxx xxxx

| Bit | Name | Function |
|-----|-------------|--|
| 7:0 | MS2_P1[7:0] | Multisynth2 Parameter 1. This 18-bit number is an encoded representation of the integer part of the Multisynth2 divider. |

Register 63. Multisynth2 Parameters

| Bit | D7 | D6 | D5 | D4 | D3 | D2 | D1 | D0 |
|-------------|---------------|----|----|----|---------------|----|----|----|
| Name | MS2_P3[19:16] | | | | MS2_P2[19:16] | | | |
| Type | R/W | | | | R/W | | | |

Reset value = xxxx xxxx

| Bit | Name | Function |
|-----|---------------|--|
| 7:4 | MS2_P3[19:16] | Multisynth2 Parameter 3. This 20-bit number is an encoded representation of the denominator for the fractional part of the Multisynth2 divider |
| 3:0 | MS2_P2[19:16] | Multisynth2 Parameter 2. This 20-bit number is an encoded representation of the numerator for the fractional part of the MultiSynth2 divider. |

Register 64. Multisynth2 Parameters

| Bit | D7 | D6 | D5 | D4 | D3 | D2 | D1 | D0 |
|-------------|--------------|----|----|----|----|----|----|----|
| Name | MS2_P2[15:8] | | | | | | | |
| Type | R/W | | | | | | | |

Reset value = xxxx xxxx

| Bit | Name | Function |
|-----|--------------|---|
| 7:0 | MS2_P2[15:8] | Multisynth2 Parameter 2. This 20-bit number is an encoded representation of the numerator for the fractional part of the Multisynth2 divider. |

AN619

Register 65. Multisynth2 Parameters

| Bit | D7 | D6 | D5 | D4 | D3 | D2 | D1 | D0 |
|------|-------------|----|----|----|----|----|----|----|
| Name | MS2_P2[7:0] | | | | | | | |
| Type | R/W | | | | | | | |

Reset value = xxxx xxxx

| Bit | Name | Function |
|-----|-------------|---|
| 7:0 | MS2_P2[7:0] | Multisynth2 Parameter 2. This 20-bit number is an encoded representation of the numerator for the fractional part of the Multisynth2 divider. |

Register 66. Multisynth3 Parameters

| Bit | D7 | D6 | D5 | D4 | D3 | D2 | D1 | D0 |
|------|--------------|----|----|----|----|----|----|----|
| Name | MS3_P3[15:8] | | | | | | | |
| Type | R/W | | | | | | | |

Reset value = xxxx xxxx

| Bit | Name | Function |
|-----|--------------|---|
| 7:0 | MS3_P3[15:8] | Multisynth3 Parameter 3. This 20-bit number is an encoded representation of the denominator for the fractional part of the Multisynth3 divider. |

Register 67. Multisynth3 Parameters

| Bit | D7 | D6 | D5 | D4 | D3 | D2 | D1 | D0 |
|------|-------------|----|----|----|----|----|----|----|
| Name | MS3_P3[7:0] | | | | | | | |
| Type | R/W | | | | | | | |

Reset value = xxxx xxxx

| Bit | Name | Function |
|-----|-------------|---|
| 7:0 | MS3_P3[7:0] | Multisynth3 Parameter 3. This 20-bit number is an encoded representation of the denominator for the fractional part of the Multisynth3 divider. |

Register 68. Multisynth3 Parameters

| Bit | D7 | D6 | D5 | D4 | D3 | D2 | D1 | D0 |
|-------------|-----|-------------|----|----|-----------------|-----|---------------|----|
| Name | | R3_DIV[2:0] | | | MS3_DIVBY4[1:0] | | MS3_P1[17:16] | |
| Type | R/W | R/W | | | R/W | R/W | R/W | |

Reset value = xxxx xxxx

| Bit | Name | Function |
|-----|-----------------|--|
| 7 | Unused | |
| 6:4 | R3_DIV[2:0] | R3 Output Divider. 000b: Divide by 1 001b: Divide by 2 010b: Divide by 4 011b: Divide by 8 100b: Divide by 16 101b: Divide by 32 110b: Divide by 64 111b: Divide by 128 |
| 3:2 | MS3_DIVBY4[1:0] | MS3 Divide by 4 Enable. 11: Divide by 4 enabled. 00: Divide by a value other than 4. |
| 1:0 | MS3_P1[17:16] | Multisynth3 Parameter 1. This 18-bit number is an encoded representation of the integer part of the Multisynth3 divider. |

Register 69. Multisynth3 Parameters

| Bit | D7 | D6 | D5 | D4 | D3 | D2 | D1 | D0 |
|-------------|--------------|----|----|----|----|----|----|----|
| Name | MS3_P1[15:8] | | | | | | | |
| Type | R/W | | | | | | | |

Reset value = xxxx xxxx

| Bit | Name | Function |
|-----|--------------|--|
| 7:0 | MS3_P1[15:8] | Multisynth3 Parameter 1. This 18-bit number is an encoded representation of the integer part of the Multisynth3 divider. |

AN619

Register 70. Multisynth3 Parameters

| Bit | D7 | D6 | D5 | D4 | D3 | D2 | D1 | D0 |
|------|-------------|----|----|----|----|----|----|----|
| Name | MS3_P1[7:0] | | | | | | | |
| Type | R/W | | | | | | | |

Reset value = xxxx xxxx

| Bit | Name | Function |
|-----|-------------|--|
| 7:0 | MS3_P1[7:0] | Multisynth3 Parameter 1. This 18-bit number is an encoded representation of the integer part of the Multisynth3 divider. |

Register 71. Multisynth3 Parameters

| Bit | D7 | D6 | D5 | D4 | D3 | D2 | D1 | D0 |
|------|---------------|----|----|----|---------------|----|----|----|
| Name | MS3_P3[19:16] | | | | MS3_P2[19:16] | | | |
| Type | R/W | | | | R/W | | | |

Reset value = xxxx xxxx

| Bit | Name | Function |
|-----|---------------|--|
| 7:4 | MS3_P3[19:16] | Multisynth3 Parameter 3. This 20-bit number is an encoded representation of the denominator for the fractional part of the Multisynth3 divider |
| 3:0 | MS3_P2[19:16] | Multisynth3 Parameter 2. This 20-bit number is an encoded representation of the numerator for the fractional part of the MultiSynth3 divider. |

Register 72. Multisynth3 Parameters

| Bit | D7 | D6 | D5 | D4 | D3 | D2 | D1 | D0 |
|------|--------------|----|----|----|----|----|----|----|
| Name | MS3_P2[15:8] | | | | | | | |
| Type | R/W | | | | | | | |

Reset value = xxxx xxxx

| Bit | Name | Function |
|-----|--------------|---|
| 7:0 | MS3_P2[15:8] | Multisynth3 Parameter 2. This 20-bit number is an encoded representation of the numerator for the fractional part of the Multisynth3 divider. |

Register 73. Multisynth3 Parameters

| Bit | D7 | D6 | D5 | D4 | D3 | D2 | D1 | D0 |
|-------------|-------------|----|----|----|----|----|----|----|
| Name | MS3_P2[7:0] | | | | | | | |
| Type | R/W | | | | | | | |

Reset value = xxxx xxxx

| Bit | Name | Function |
|-----|-------------|---|
| 7:0 | MS3_P2[7:0] | Multisynth3 Parameter 2. This 20-bit number is an encoded representation of the numerator for the fractional part of the Multisynth3 divider. |

Register 74. Multisynth4 Parameters

| Bit | D7 | D6 | D5 | D4 | D3 | D2 | D1 | D0 |
|-------------|--------------|----|----|----|----|----|----|----|
| Name | MS4_P3[15:8] | | | | | | | |
| Type | R/W | | | | | | | |

Reset value = xxxx xxxx

| Bit | Name | Function |
|-----|--------------|---|
| 7:0 | MS4_P3[15:8] | Multisynth4 Parameter 3. This 20-bit number is an encoded representation of the denominator for the fractional part of the Multisynth4 divider. |

Register 75. Multisynth4 Parameters

| Bit | D7 | D6 | D5 | D4 | D3 | D2 | D1 | D0 |
|-------------|-------------|----|----|----|----|----|----|----|
| Name | MS4_P3[7:0] | | | | | | | |
| Type | R/W | | | | | | | |

Reset value = xxxx xxxx

| Bit | Name | Function |
|-----|-------------|---|
| 7:0 | MS4_P3[7:0] | Multisynth4 Parameter 3. This 20-bit number is an encoded representation of the numerator for the fractional part of the Multisynth4 divider. |

AN619

Register 76. Multisynth4 Parameters

| Bit | D7 | D6 | D5 | D4 | D3 | D2 | D1 | D0 |
|------|-----|-------------|----|----|-----------------|-----|---------------|----|
| Name | | R4_DIV[2:0] | | | MS4_DIVBY4[1:0] | | MS4_P1[17:16] | |
| Type | R/W | R/W | | | R/W | R/W | R/W | |

Reset value = xxxx xxxx

| Bit | Name | Function |
|-----|-----------------|--|
| 7 | Unused | |
| 6:4 | R4_DIV[2:0] | R4 Output Divider. 000b: Divide by 1 001b: Divide by 2 010b: Divide by 4 011b: Divide by 8 100b: Divide by 16 101b: Divide by 32 110b: Divide by 64 111b: Divide by 128 |
| 3:2 | MS4_DIVBY4[1:0] | MS4 Divide by 4 Enable. 11: Divide by 4 enabled. 00: Divide by a value other than 4. |
| 1:0 | MS4_P1[17:16] | Multisynth4 Parameter 1. This 18-bit number is an encoded representation of the integer part of the Multisynth4 divider. |

Register 77. Multisynth4 Parameters

| Bit | D7 | D6 | D5 | D4 | D3 | D2 | D1 | D0 |
|------|--------------|----|----|----|----|----|----|----|
| Name | MS4_P1[15:8] | | | | | | | |
| Type | R/W | | | | | | | |

Reset value = xxxx xxxx

| Bit | Name | Function |
|-----|--------------|--|
| 7:0 | MS4_P1[15:8] | Multisynth4 Parameter 1. This 18-bit number is an encoded representation of the integer part of the Multisynth4 divider. |

Register 78. Multisynth4 Parameters

| Bit | D7 | D6 | D5 | D4 | D3 | D2 | D1 | D0 |
|-------------|-------------|----|----|----|----|----|----|----|
| Name | MS4_P1[7:0] | | | | | | | |
| Type | R/W | | | | | | | |

Reset value = xxxx xxxx

| Bit | Name | Function |
|-----|-------------|--|
| 7:0 | MS4_P1[7:0] | Multisynth4 Parameter 1. This 18-bit number is an encoded representation of the integer part of the Multisynth4 divider. |

Register 79. Multisynth4 Parameters

| Bit | D7 | D6 | D5 | D4 | D3 | D2 | D1 | D0 |
|-------------|---------------|----|----|----|---------------|----|----|----|
| Name | MS4_P3[19:16] | | | | MS4_P2[19:16] | | | |
| Type | R/W | | | | R/W | | | |

Reset value = xxxx xxxx

| Bit | Name | Function |
|-----|---------------|--|
| 7:4 | MS4_P3[19:16] | Multisynth4 Parameter 3. This 20-bit number is an encoded representation of the denominator for the fractional part of the Multisynth4 divider |
| 3:0 | MS4_P2[19:16] | Multisynth4 Parameter 2. This 20-bit number is an encoded representation of the numerator for the fractional part of the MultiSynth4 divider. |

Register 80. Multisynth4 Parameters

| Bit | D7 | D6 | D5 | D4 | D3 | D2 | D1 | D0 |
|-------------|--------------|----|----|----|----|----|----|----|
| Name | MS4_P2[15:8] | | | | | | | |
| Type | R/W | | | | | | | |

Reset value = xxxx xxxx

| Bit | Name | Function |
|-----|--------------|---|
| 7:0 | MS4_P2[15:8] | Multisynth4 Parameter 2. This 20-bit number is an encoded representation of the numerator for the fractional part of the Multisynth4 Divider. |

AN619

Register 81. Multisynth4 Parameters

| Bit | D7 | D6 | D5 | D4 | D3 | D2 | D1 | D0 |
|------|-------------|----|----|----|----|----|----|----|
| Name | MS4_P2[7:0] | | | | | | | |
| Type | R/W | | | | | | | |

Reset value = xxxx xxxx

| Bit | Name | Function |
|-----|-------------|---|
| 7:0 | MS4_P2[7:0] | Multisynth4 Parameter 2. This 20-bit number is an encoded representation of the numerator for the fractional part of the Multisynth4 divider. |

Register 82. Multisynth5 Parameters

| Bit | D7 | D6 | D5 | D4 | D3 | D2 | D1 | D0 |
|------|--------------|----|----|----|----|----|----|----|
| Name | MS5_P3[15:8] | | | | | | | |
| Type | R/W | | | | | | | |

Reset value = xxxx xxxx

| Bit | Name | Function |
|-----|--------------|---|
| 7:0 | MS5_P3[15:8] | Multisynth5 Parameter 3. This 20-bit number is an encoded representation of the denominator for the fractional part of the Multisynth5 divider. |

Register 83. Multisynth5 Parameters

| Bit | D7 | D6 | D5 | D4 | D3 | D2 | D1 | D0 |
|------|-------------|----|----|----|----|----|----|----|
| Name | MS5_P3[7:0] | | | | | | | |
| Type | R/W | | | | | | | |

Reset value = xxxx xxxx

| Bit | Name | Function |
|-----|-------------|---|
| 7:0 | MS5_P3[7:0] | Multisynth5 Parameter 3. This 20-bit number is an encoded representation of the denominator for the fractional part of the Multisynth5 divider. |

Register 84. Multisynth5 Parameters

| Bit | D7 | D6 | D5 | D4 | D3 | D2 | D1 | D0 |
|-------------|-----|-------------|----|----|-----------------|-----|---------------|----|
| Name | | R5_DIV[2:0] | | | MS5_DIVBY4[1:0] | | MS5_P1[17:16] | |
| Type | R/W | R/W | | | R/W | R/W | R/W | |

Reset value = xxxx xxxx

| Bit | Name | Function |
|-----|-----------------|--|
| 7 | Unused | |
| 6:4 | R5_DIV[2:0] | R5 Output Divider. 000b: Divide by 1 001b: Divide by 2 010b: Divide by 4 011b: Divide by 8 100b: Divide by 16 101b: Divide by 32 110b: Divide by 64 111b: Divide by 128 |
| 3:2 | MS5_DIVBY4[1:0] | MS5 Divide by 4 Enable. 11: Divide by 4 enabled. 00: Divide by a value other than 4. |
| 1:0 | MS5_P1[17:16] | Multisynth5 Parameter 1. This 18-bit number is an encoded representation of the integer part of the Multisynth5 divider. |

Register 85. Multisynth5 Parameters

| Bit | D7 | D6 | D5 | D4 | D3 | D2 | D1 | D0 |
|-------------|--------------|----|----|----|----|----|----|----|
| Name | MS5_P1[15:8] | | | | | | | |
| Type | R/W | | | | | | | |

Reset value = xxxx xxxx

| Bit | Name | Function |
|-----|--------------|--|
| 7:0 | MS5_P1[15:8] | Multisynth5 Parameter 1. This 18-bit number is an encoded representation of the integer part of the Multisynth5 divider. |

AN619

Register 86. Multisynth5 Parameters

| Bit | D7 | D6 | D5 | D4 | D3 | D2 | D1 | D0 |
|-------------|-------------|----|----|----|----|----|----|----|
| Name | MS5_P1[7:0] | | | | | | | |
| Type | R/W | | | | | | | |

Reset value = xxxx xxxx

| Bit | Name | Function |
|-----|-------------|--|
| 7:0 | MS5_P1[7:0] | Multisynth5 Parameter 1. This 18-bit number is an encoded representation of the integer part of the Multisynth5 divider. |

Register 87. Multisynth5 Parameters

| Bit | D7 | D6 | D5 | D4 | D3 | D2 | D1 | D0 |
|-------------|---------------|----|----|----|---------------|----|----|----|
| Name | MS5_P3[19:16] | | | | MS5_P2[19:16] | | | |
| Type | R/W | | | | R/W | | | |

Reset value = xxxx xxxx

| Bit | Name | Function |
|-----|---------------|--|
| 7:4 | MS5_P3[19:16] | Multisynth5 Parameter 3. This 20-bit number is an encoded representation of the denominator for the fractional part of the Multisynth5 divider |
| 3:0 | MS5_P2[19:16] | Multisynth5 Parameter 2. This 20-bit number is an encoded representation of the numerator for the fractional part of the MultiSynth5 divider. |

Register 88. Multisynth5 Parameters

| Bit | D7 | D6 | D5 | D4 | D3 | D2 | D1 | D0 |
|-------------|--------------|----|----|----|----|----|----|----|
| Name | MS5_P2[15:8] | | | | | | | |
| Type | R/W | | | | | | | |

Reset value = xxxx xxxx

| Bit | Name | Function |
|-----|--------------|---|
| 7:0 | MS5_P2[15:8] | Multisynth5 Parameter 2. This 20-bit number is an encoded representation of the numerator for the fractional part of the Multisynth5 Divider. |

Register 89. Multisynth5 Parameters

| Bit | D7 | D6 | D5 | D4 | D3 | D2 | D1 | D0 |
|-------------|-------------|----|----|----|----|----|----|----|
| Name | MS5_P2[7:0] | | | | | | | |
| Type | R/W | | | | | | | |

Reset value = xxxx xxxx

| Bit | Name | Function |
|-----|-------------|---|
| 7:0 | MS5_P2[7:0] | Multisynth5 Parameter 2. This 20-bit number is an encoded representation of the numerator for the fractional part of the Multisynth5 Divider. |

Register 90. Multisynth6 Parameters

| Bit | D7 | D6 | D5 | D4 | D3 | D2 | D1 | D0 |
|-------------|-------------|----|----|----|----|----|----|----|
| Name | MS6_P1[7:0] | | | | | | | |
| Type | R/W | | | | | | | |

Reset value = xxxx xxxx

| Bit | Name | Function |
|-----|-------------|---|
| 7:0 | MS6_P1[7:0] | Multisynth6 Parameter 1. This 8-bit number is the Multisynth6 divide ratio. Multisynth6 divide ratio can only be even integers greater than or equal to 6. All other divide values are invalid. |

Register 91. Multisynth7 Parameters

| Bit | D7 | D6 | D5 | D4 | D3 | D2 | D1 | D0 |
|-------------|-------------|----|----|----|----|----|----|----|
| Name | MS7_P1[7:0] | | | | | | | |
| Type | R/W | | | | | | | |

Reset value = xxxx xxxx

| Bit | Name | Function |
|-----|-------------|---|
| 7:0 | MS7_P1[7:0] | Multisynth7 Parameter 1. This 8-bit number is the Multisynth6 divide ratio. Multisynth6 divide ratio can only be even integers greater than or equal to 6. All other divide values are invalid. |

AN619

Register 92. Clock 6 and 7 Output Divider

| Bit | D7 | D6 | D5 | D4 | D3 | D2 | D1 | D0 |
|-------------|-----|-------------|----|----|-----|-------------|----|----|
| Name | | R7_DIV[2:0] | | | | R6_DIV[2:0] | | |
| Type | R/W | R/W | | | R/W | R/W | | |

Reset value = xxxx xxxx

| Bit | Name | Function |
|-----|-------------|--|
| 7 | Reserved | Leave as default. |
| 6:4 | R7_DIV[2:0] | R7 Output Divider. 000b: Divide by 1 001b: Divide by 2 010b: Divide by 4 011b: Divide by 8 100b: Divide by 16 101b: Divide by 32 110b: Divide by 64 111b: Divide by 128 |
| 3 | Reserved | Leave as default. |
| 1:0 | R6_DIV[2:0] | R6 Output Divider. 000b: Divide by 1 001b: Divide by 2 010b: Divide by 4 011b: Divide by 8 100b: Divide by 16 101b: Divide by 32 110b: Divide by 64 111b: Divide by 128 |

Register 149. Spread Spectrum Parameters

| Bit | D7 | D6 | D5 | D4 | D3 | D2 | D1 | D0 |
|------|--------|---------------|----|----|----|----|----|----|
| Name | SSC_EN | SSDN_P2[14:8] | | | | | | |
| Type | R/W | | | | | | | |

Reset value = xxxx xxxx

| Bit | Name | Function |
|-----|---------------|--|
| 7 | SSC_EN | Spread Spectrum Enable 1: Enable 0: Disable Note: Spread Spectrum Enable control pin is available on the Si5351A and B devices. Spread spectrum enable functionality is a logical OR of the SSEN pin and SSC_EN register bit, so for the SSEN pin to work properly, this register bit must be set to 0. |
| 6:0 | SSDN_P2[14:8] | PLL A Spread Spectrum Down Parameter 2. |

Register 150. Spread Spectrum Parameters

| Bit | D7 | D6 | D5 | D4 | D3 | D2 | D1 | D0 |
|------|--------------|----|----|----|----|----|----|----|
| Name | SSDN_P2[7:0] | | | | | | | |
| Type | R/W | | | | | | | |

Reset value = xxxx xxxx

| Bit | Name | Function |
|-----|--------------|--|
| 7:0 | SSDN_P2[7:0] | PLL A Spread Spectrum Down Parameter 2. |

Register 151. Spread Spectrum Parameters

| Bit | D7 | D6 | D5 | D4 | D3 | D2 | D1 | D0 |
|------|----------|---------------|----|----|----|----|----|----|
| Name | SSC_MODE | SSDN_P3[14:8] | | | | | | |
| Type | R/W | | | | | | | |

Reset value = xxxx xxxx

| Bit | Name | Function |
|-----|---------------|--|
| 7 | SSC_MODE | Spread Spectrum Mode. 0: Down Spread 1: Center Spread |
| 6:0 | SSDN_P3[14:8] | PLL A Spread Spectrum Down Parameter 3. |

AN619

Register 152. Spread Spectrum Parameters

| Bit | D7 | D6 | D5 | D4 | D3 | D2 | D1 | D0 |
|------|--------------|----|----|----|----|----|----|----|
| Name | SSDN_P3[7:0] | | | | | | | |
| Type | R/W | | | | | | | |

Reset value = xxxx xxxx

| Bit | Name | Function |
|-----|--------------|---|
| 7:0 | SSDN_P3[7:0] | PLL A Spread Spectrum Down Parameter 3. |

Register 153. Spread Spectrum Parameters

| Bit | D7 | D6 | D5 | D4 | D3 | D2 | D1 | D0 |
|------|--------------|----|----|----|----|----|----|----|
| Name | SSDN_P1[7:0] | | | | | | | |
| Type | R/W | | | | | | | |

Reset value = xxxx xxxx

| Bit | Name | Function |
|-----|--------------|---|
| 7:0 | SSDN_P1[7:0] | PLL A Spread Spectrum Down Parameter 1. |

Register 154. Spread Spectrum Parameters

| Bit | D7 | D6 | D5 | D4 | D3 | D2 | D1 | D0 |
|------|-------------|----|----|----|---------------|----|----|----|
| Name | SSUDP[11:8] | | | | SSDN_P1[11:8] | | | |
| Type | R/W | | | | | | | |

Reset value = xxxx xxxx

| Bit | Name | Function |
|-----|---------------|--|
| 7:4 | SSUDP[11:8] | PLL A Spread Spectrum Up/Down Parameter. |
| 3:0 | SSDN_P1[11:8] | PLL A Spread Spectrum Down Parameter 1. |

Register 155. Spread Spectrum Parameters

| Bit | D7 | D6 | D5 | D4 | D3 | D2 | D1 | D0 |
|------|------------|----|----|----|----|----|----|----|
| Name | SSUDP[7:0] | | | | | | | |
| Type | R/W | | | | | | | |

Reset value = xxxx xxxx

| Bit | Name | Function |
|-----|------------|--|
| 7:0 | SSUDP[7:0] | PLL A Spread Spectrum Up/Down Parameter. |

Register 156. Spread Spectrum Parameters

| Bit | D7 | D6 | D5 | D4 | D3 | D2 | D1 | D0 |
|-------------|---------------|----|----|----|----|----|----|----|
| Name | SSUP_P2[14:8] | | | | | | | |
| Type | R/W | | | | | | | |

Reset value = xxxx xxxx

| Bit | Name | Function |
|-----|---------------|--|
| 7 | Unused | Unused. |
| 6:0 | SSUP_P2[14:8] | PLL A Spread Spectrum Up Parameter 2. |

Register 157. Spread Spectrum Parameters

| Bit | D7 | D6 | D5 | D4 | D3 | D2 | D1 | D0 |
|-------------|--------------|----|----|----|----|----|----|----|
| Name | SSUP_P2[7:0] | | | | | | | |
| Type | R/W | | | | | | | |

Reset value = xxxx xxxx

| Bit | Name | Function |
|-----|--------------|--|
| 7:0 | SSUP_P2[7:0] | PLL A Spread Spectrum Up Parameter 2. |

Register 158. Spread Spectrum Parameters

| Bit | D7 | D6 | D5 | D4 | D3 | D2 | D1 | D0 |
|-------------|---------------|----|----|----|----|----|----|----|
| Name | SSUP_P3[14:8] | | | | | | | |
| Type | R/W | | | | | | | |

Reset value = xxxx xxxx

| Bit | Name | Function |
|-----|---------------|--|
| 7 | Unused | Unused. |
| 6:0 | SSUP_P3[14:8] | PLL A Spread Spectrum Up Parameter 3. |

AN619

Register 159. Spread Spectrum Parameters

| Bit | D7 | D6 | D5 | D4 | D3 | D2 | D1 | D0 |
|------|--------------|----|----|----|----|----|----|----|
| Name | SSUP_P3[7:0] | | | | | | | |
| Type | R/W | | | | | | | |

Reset value = xxxx xxxx

| Bit | Name | Function |
|-----|--------------|---------------------------------------|
| 7:0 | SSUP_P3[7:0] | PLL A Spread Spectrum Up Parameter 3. |

Register 160. Spread Spectrum Parameters

| Bit | D7 | D6 | D5 | D4 | D3 | D2 | D1 | D0 |
|------|--------------|----|----|----|----|----|----|----|
| Name | SSUP_P1[7:0] | | | | | | | |
| Type | R/W | | | | | | | |

Reset value = xxxx xxxx

| Bit | Name | Function |
|-----|--------------|---------------------------------------|
| 7:0 | SSUP_P1[7:0] | PLL A Spread Spectrum Up Parameter 1. |

Register 161. Spread Spectrum Parameters

| Bit | D7 | D6 | D5 | D4 | D3 | D2 | D1 | D0 |
|------|--------------|----|----|----|---------------|----|----|----|
| Name | SS_NCLK[3:0] | | | | SSUP_P1[11:8] | | | |
| Type | R/W | | | | | | | |

Reset value = xxxx xxxx

| Bit | Name | Function |
|-----|---------------|---------------------------------------|
| 7:4 | SS_NCLK[3:0] | Must write 0000b to these bits. |
| 3:0 | SSUP_P1[11:8] | PLL A Spread Spectrum Up Parameter 1. |

Register 162. VCXO Parameter

| Bit | D7 | D6 | D5 | D4 | D3 | D2 | D1 | D0 |
|------|-----------------|----|----|----|----|----|----|----|
| Name | VCXO_Param[7:0] | | | | | | | |
| Type | R/W | | | | | | | |

Reset value = xxxx xxxx

| Bit | Name | Function |
|-----|-----------------|-----------------|
| 7:0 | VCXO_Param[7:0] | VCXO Parameter. |

Register 163. VCXO Parameter

| Bit | D7 | D6 | D5 | D4 | D3 | D2 | D1 | D0 |
|------|------------------|----|----|----|----|----|----|----|
| Name | VCXO_Param[15:8] | | | | | | | |
| Type | R/W | | | | | | | |

Reset value = xxxx xxxx

| Bit | Name | Function |
|-----|------------------|-----------------|
| 7:0 | VCXO_Param[15:8] | VCXO Parameter. |

Register 164. VCXO Parameter

| Bit | D7 | D6 | D5 | D4 | D3 | D2 | D1 | D0 |
|------|-------------------|----|----|----|----|----|----|----|
| Name | VCXO_Param[21:16] | | | | | | | |
| Type | R/W | | | | | | | |

Reset value = xxxx xxxx

| Bit | Name | Function |
|-----|-------------------|---|
| 7:6 | Reserved | Reserved. Only write 00b to these bits. |
| 5:0 | VCXO_Param[21:16] | VCXO Parameter. |

Register 165. CLK0 Initial Phase Offset

| Bit | D7 | D6 | D5 | D4 | D3 | D2 | D1 | D0 |
|------|-----------------|-----|-----|-----|-----|-----|-----|-----|
| Name | CLK0_PHOFF[6:0] | | | | | | | |
| Type | R/W | R/W | R/W | R/W | R/W | R/W | R/W | R/W |

Reset value = 0000 0000

| Bit | Name | Function |
|-----|-----------------|---|
| 7 | Reserved | Only write 0 to this bit. |
| 6:0 | CLK0_PHOFF[6:0] | Clock 0 Initial Phase Offset. CLK0_PHOFF[6:0] is an unsigned integer with one LSB equivalent to a time delay of $T_{vco}/4$, where T_{vco} is the period of the VCO/PLL associated with this output. |

Register 166. CLK1 Initial Phase Offset

| Bit | D7 | D6 | D5 | D4 | D3 | D2 | D1 | D0 |
|------|-----------------|-----|-----|-----|-----|-----|-----|-----|
| Name | CLK1_PHOFF[6:0] | | | | | | | |
| Type | R/W | R/W | R/W | R/W | R/W | R/W | R/W | R/W |

Reset value = 0000 0000

| Bit | Name | Function |
|-----|-----------------|---|
| 7 | Reserved | Only write 0 to this bit. |
| 6:0 | CLK1_PHOFF[6:0] | Clock 1 Initial Phase Offset. CLK1_PHOFF[6:0] is an unsigned integer with one LSB equivalent to a time delay of $T_{vco}/4$, where T_{vco} is the period of the VCO/PLL associated with this output. |

Register 167. CLK2 Initial Phase Offset

| Bit | D7 | D6 | D5 | D4 | D3 | D2 | D1 | D0 |
|------|-----------------|-----|-----|-----|-----|-----|-----|-----|
| Name | CLK2_PHOFF[6:0] | | | | | | | |
| Type | R/W | R/W | R/W | R/W | R/W | R/W | R/W | R/W |

Reset value = 0000 0000

| Bit | Name | Function |
|-----|-----------------|---|
| 7 | Reserved | Only write 0 to this bit. |
| 6:0 | CLK2_PHOFF[6:0] | Clock 2 Initial Phase Offset. CLK2_PHOFF[6:0] is an unsigned integer with one LSB equivalent to a time delay of $T_{vco}/4$, where T_{vco} is the period of the VCO/PLL associated with this output. |

Register 168. CLK3 Initial Phase Offset

| Bit | D7 | D6 | D5 | D4 | D3 | D2 | D1 | D0 |
|------|-----------------|-----|-----|-----|-----|-----|-----|-----|
| Name | CLK3_PHOFF[6:0] | | | | | | | |
| Type | R/W | R/W | R/W | R/W | R/W | R/W | R/W | R/W |

Reset value = 0000 0000

| Bit | Name | Function |
|-----|-----------------|---|
| 7 | Reserved | Only write 0 to this bit. |
| 6:0 | CLK3_PHOFF[6:0] | Clock 3 Initial Phase Offset. CLK3_PHOFF[6:0] is an unsigned integer with one LSB equivalent to a time delay of $T_{vco}/4$, where T_{vco} is the period of the VCO/PLL associated with this output. |

Register 169. CLK4 Initial Phase Offset

| Bit | D7 | D6 | D5 | D4 | D3 | D2 | D1 | D0 |
|------|-----------------|-----|-----|-----|-----|-----|-----|-----|
| Name | CLK4_PHOFF[6:0] | | | | | | | |
| Type | R/W | R/W | R/W | R/W | R/W | R/W | R/W | R/W |

Reset value = 0000 0000

| Bit | Name | Function |
|-----|-----------------|---|
| 7 | Reserved | Only write 0 to this bit. |
| 6:0 | CLK4_PHOFF[6:0] | Clock 4 Initial Phase Offset. CLK4_PHOFF[6:0] is an unsigned integer with one LSB equivalent to a time delay of $T_{vco}/4$, where T_{vco} is the period of the VCO/PLL associated with this output. |

Register 170. CLK5 Initial Phase Offset

| Bit | D7 | D6 | D5 | D4 | D3 | D2 | D1 | D0 |
|------|-----------------|-----|-----|-----|-----|-----|-----|-----|
| Name | CLK5_PHOFF[6:0] | | | | | | | |
| Type | R/W | R/W | R/W | R/W | R/W | R/W | R/W | R/W |

Reset value = 0000 0000

| Bit | Name | Function |
|-----|-----------------|---|
| 7 | Reserved | Only write 0 to this bit. |
| 6:0 | CLK5_PHOFF[6:0] | Clock 5 Initial Phase Offset. CLK5_PHOFF[6:0] is an unsigned integer with one LSB equivalent to a time delay of $T_{vco}/4$, where T_{vco} is the period of the VCO/PLL associated with this output. |

AN619

Register 177. PLL Reset

| Bit | D7 | D6 | D5 | D4 | D3 | D2 | D1 | D0 |
|------|-----------|-----|-----------|-----|-----|-----|-----|-----|
| Name | PLL_B_RST | | PLL_A_RST | | | | | |
| Type | R/W | R/W | R/W | R/W | R/W | R/W | R/W | R/W |

Reset value = 0000 0000

| Bit | Name | Function |
|-----|-----------|--|
| 7 | PLL_B_RST | PLL_B_Reset. Writing a 1 to this bit will reset PLLB. This is a self clearing bit. |
| 6 | Reserved | Leave as default. |
| 5 | PLL_A_RST | PLL_A_Reset. Writing a 1 to this bit will reset PLLA. This is a self clearing bit. |
| 4:0 | Reserved | Leave as default. |

Register 183. Crystal Internal Load Capacitance

| Bit | D7 | D6 | D5 | D4 | D3 | D2 | D1 | D0 |
|------|--------------|-----|-----|-----|-----|-----|-----|-----|
| Name | XTAL_CL[1:0] | | | | | | | |
| Type | R/W | R/W | R/W | R/W | R/W | R/W | R/W | R/W |

Reset value = 11xx xxxx

| Bit | Name | Function |
|-----|--------------|--|
| 7:6 | XTAL_CL[1:0] | Crystal Load Capacitance Selection. These 2 bits determine the internal load capacitance value for the crystal. See the Crystal Inputs section in the Si5351 data sheet. 00: Reserved. Do not select this option. 01: Internal CL = 6 pF. 10: Internal CL = 8 pF. 11: Internal CL = 10 pF (default). |
| 5:0 | Reserved | Bits 5:0 should be written to 010010b. |

Register 187. Fanout Enable

| Bit | D7 | D6 | D5 | D4 | D3 | D2 | D1 | D0 |
|-------------|------------------|---------------|----------|---------------|----------|-----|-----|-----|
| Name | CLKIN_FA-NOUT_EN | XO_FA-NOUT_EN | Reserved | MS_FA-NOUT_EN | Reserved | | | |
| Type | R/W | R/W | R/W | R/W | R/W | R/W | R/W | R/W |

Reset value = xxxx xxxx

| Bit | Name | Function |
|-----|------------------|--|
| 7 | CLKIN_FA-NOUT_EN | Enable fanout of CLKIN to clock output multiplexers. Set this bit to 1b. |
| 6 | XO_FA-NOUT_EN | Enable fanout of XO to clock output multiplexers. Set this bit to 1b. |
| 5 | Reserved | Reserved. |
| 4 | MS_FA-NOUT_EN | Enable fanout of Multisynth0 and Multisynth4 to all output multiplexers. Set this bit to 1b. |

DOCUMENT CHANGE LIST

Revision 0.1 to Revision 0.2

- Corrected Typos
 - Feedback fractional divide value can be up to 90 (not 900).
 - Corrected miscellaneous typographical errors.
- Added note to “3.2. Feedback Multisynth Divider Equations” to set MSNB a + b/c divide ratio such that $c = 106$ when using VCXO equations in this document.
- Added Figure 2.

Revision 0.2 to Revision 0.3

- Updated first bullet in “Section 5. Configuring Spread Spectrum Register Parameters.”
- Updated “Section 8.1 Register Map Summary.”
- Updated Register 183.

Revision 0.3 to Revision 0.4

- Corrected typographic error in maximum spread spectrum percentage for center spread on page 8.
- Added rounding operator for up spread depth calculation on page 9.
- Corrected register description errata on pages 11, 13, 31, and 32.

Revision 0.4 to Revision 0.5

- Updated “8.1. Register Map Summary”.
- Updated “6. Configuring Initial Phase Offset Register Parameters”.
- Corrected Register 16 description.

Revision 0.5 to Revision 0.6

- Updated “8.1. Register Map Summary”.
- Corrected Register 161 description.

CONTACT INFORMATION

Silicon Laboratories Inc.
400 West Cesar Chavez
Austin, TX 78701
Tel: 1+(512) 416-8500
Fax: 1+(512) 416-9669
Toll Free: 1+(877) 444-3032

Please visit the Silicon Labs Technical Support web page:
<https://www.silabs.com/support/pages/contacttechnicalsupport.aspx>
and register to submit a technical support request.

Patent Notice

Silicon Labs invests in research and development to help our customers differentiate in the market with innovative low-power, small size, analog-intensive mixed-signal solutions. Silicon Labs' extensive patent portfolio is a testament to our unique approach and world-class engineering team.

The information in this document is believed to be accurate in all respects at the time of publication but is subject to change without notice. Silicon Laboratories assumes no responsibility for errors and omissions, and disclaims responsibility for any consequences resulting from the use of information included herein. Additionally, Silicon Laboratories assumes no responsibility for the functioning of undescribed features or parameters. Silicon Laboratories reserves the right to make changes without further notice. Silicon Laboratories makes no warranty, representation or guarantee regarding the suitability of its products for any particular purpose, nor does Silicon Laboratories assume any liability arising out of the application or use of any product or circuit, and specifically disclaims any and all liability, including without limitation consequential or incidental damages. Silicon Laboratories products are not designed, intended, or authorized for use in applications intended to support or sustain life, or for any other application in which the failure of the Silicon Laboratories product could create a situation where personal injury or death may occur. Should Buyer purchase or use Silicon Laboratories products for any such unintended or unauthorized application, Buyer shall indemnify and hold Silicon Laboratories harmless against all claims and damages.

Silicon Laboratories and Silicon Labs are trademarks of Silicon Laboratories Inc.

Other products or brandnames mentioned herein are trademarks or registered trademarks of their respective holders.