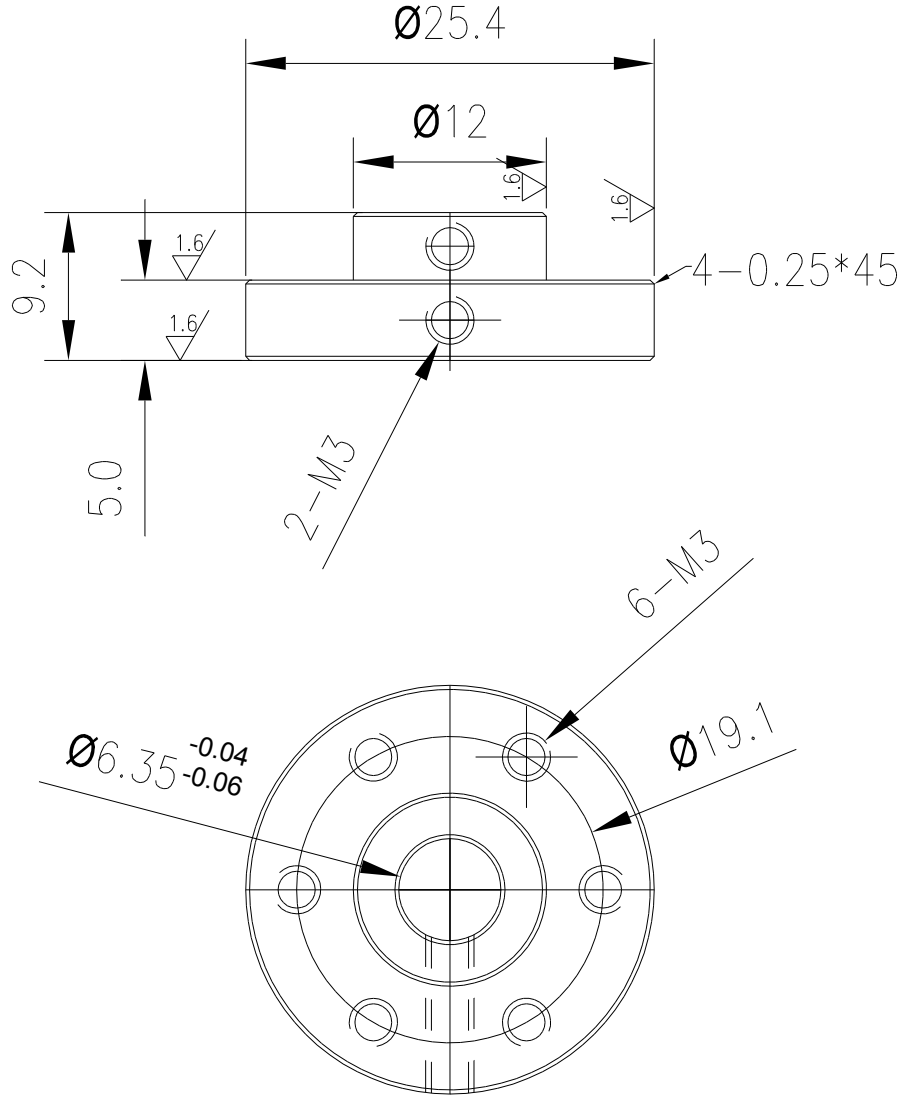


A B C D E F G H

CONTROL SIGNATURE:

Dimension:
Unit=mm



THE INFORMATION CONTAINED IN THIS DRAWING IS CONFIDENTIAL. COPYRIGHT

A			
REV.	EPO#	DETAILS	DATE
SCALE		UNIT	mm
		SIZE	A4
DRAWN CHEN YAN		MATERIAL	TITLE
CHECKED		AL	
APPROVED		FINISH	SHEET 1 OF 1 REV A
		Surface Oxidation	DWG.NO.