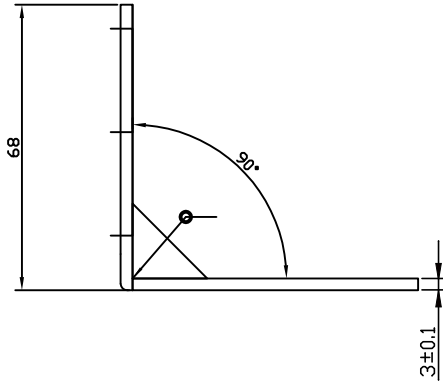
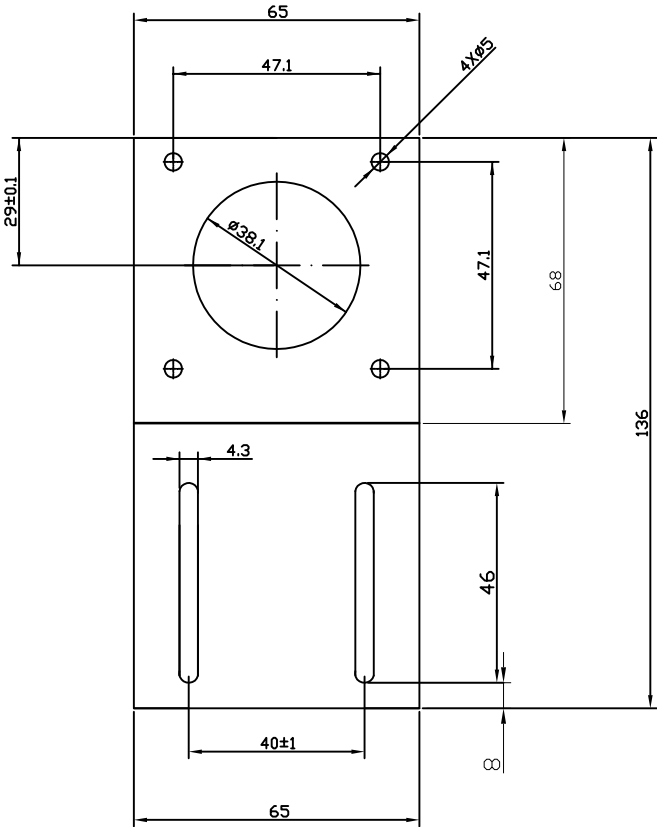


A B C D E F G H

CONTROL SIGNATURE:

Wiring Diagram:

Dimension:  
Unit=mm



THE INFORMATION CONTAINED IN THIS DRAWING IS CONFIDENTIAL. COPYRIGHT

A		1ST ISSUE	
REV.	EPO#	DETAILS	DATE

SCALE	UNIT	UNSPECIFIED TOLERANCE:	
	mm		
	SIZE	A4	
DRAWN YANG		MATERIAL	TITLE
CHECKED		STEEL	
APPROVED		FINISH	SHEET 1 OF 1 REV A
		BLACK COLOR COATING	DWG.NO.