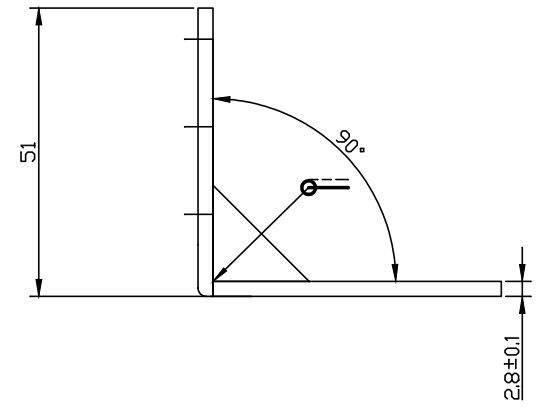
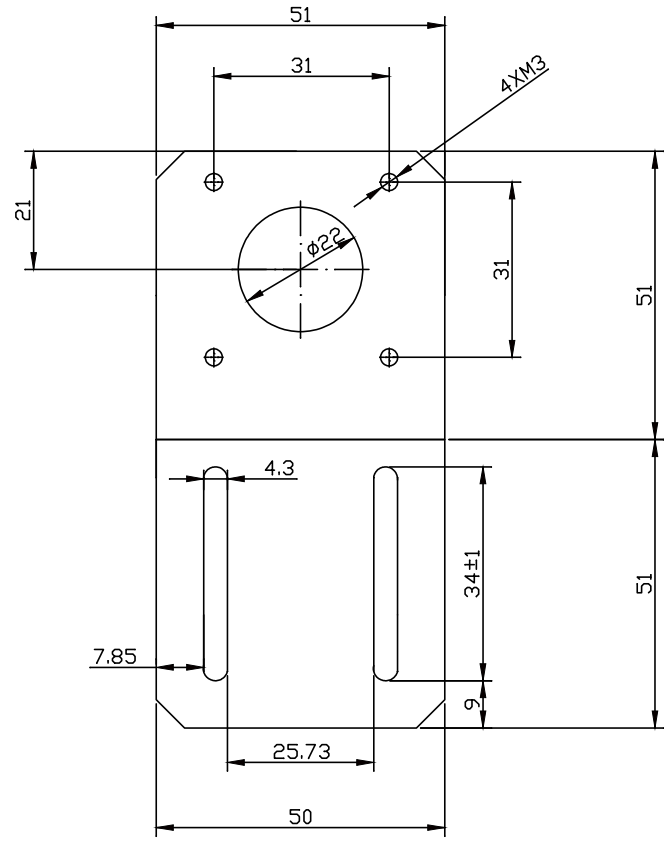


A B C D E F G H

CONTROL SIGNATURE:

THE INFORMATION CONTAINED IN THIS DRAWING IS CONFIDENTIAL. COPYRIGHT

Dimension:
Unit=mm



| | | | |
|------|------|-----------|------|
| A | | 1ST ISSUE | |
| REV. | EPO# | DETAILS | DATE |

| | | |
|------------|------|----|
| SCALE | UNIT | mm |
| | SIZE | A4 |
| DRAWN YANG | | |
| CHECKED | | |
| APPROVED | | |

| | | |
|------------------------|--------------|-------|
| UNSPECIFIED TOLERANCE: | | |
| MATERIAL | TITLE | |
| STEEL | | |
| FINISH | SHEET 1 OF 1 | REV A |
| BLACK COLOR COATING | DWG.NO. | |